



Leica TP1020

Automatic Tissue Processor



Instructions for Use

Leica TP1020

V2.7 - RevA, English - 04/2011

Order-No. 14 0422 80101

Always keep this manual near the instrument!

Read carefully prior to operating the instrument!



NOTE

The information, numerical data, notes and value judgments contained in this manual represent the current state of scientific knowledge and state-of-the-art technology as we understand it following thorough investigation in this field.

We are under no obligation to update the present manual periodically and on an ongoing basis according to the latest technical developments, nor to provide our customers with additional copies, updates etc. of this manual.

For erroneous statements, drawings, technical illustrations etc. contained in this manual we exclude liability as far as permissible according to the national legal system applicable in each individual case. In particular, no liability whatsoever is accepted for any financial loss or consequential damage caused by or related to compliance with statements or other information in this manual.

Statements, drawings, illustrations and other information as regards contents or technical details of the present Instructions for Use are not to be considered as warranted characteristics of our products.

These are determined only by the contract provisions agreed between ourselves and our customers.

Leica reserves the right to change technical specifications as well as manufacturing processes without prior notice. Only in this way is it possible to continuously improve the technology and manufacturing techniques used in our products. This document is protected under copyright laws. Any copyrights of this document are retained by Leica Biosystems Nussloch GmbH.

Any reproduction of text and illustrations (or of any parts thereof) by means of print, photocopy, microfiche, web cam or other methods – including any electronic systems and media – requires express prior permission in writing by Leica Biosystems Nussloch GmbH.

For the instrument serial number and year of manufacture, please refer to the name plate at the back of the instrument.

© Leica Biosystems Nussloch GmbH

Published by:

Leica Biosystems Nussloch GmbH

Heidelberger Str. 17 - 19

D-69226 Nussloch

Germany

Phone: +49 (0)6224 143-0

Fax: +49 (0)6224 143-268

Internet: <http://www.leica-microsystems.com>

Table of contents

1.	Important Information	7
2.	Safety	8
2.1	Safety notes	8
2.2	Warnings	8
3.	Instrument Components and Specifications	12
3.1	Technical data	12
3.2	Description of the instrument	14
3.3	Standard delivery	15
3.4	General overview Leica TP1020 - with additional wax bath (optional accessory)	18
3.5	General overview Leica TP1020 - with fume control system	20
3.6	Accessories supplied	22
3.6.1	Standard tissue basket	22
3.6.2	Glass beaker with holder	22
3.6.3	Aluminum container with holder (standard outfit in instruments with vacuum function or available as optional accessory for other types)	23
3.6.4	Wax bath	24
4.	Instrument Setup	25
4.1	Unpacking instructions	25
4.2	Installation site requirements	28
4.3	Electrical connection	29
4.3.1	Checking the voltage selector setting	29
4.3.2	Adjusting the voltage selector	30
4.3.3	Connecting the power cable	31
4.4	Switching on the instrument	32
4.5	Setting the time	32
4.6	Installing the accessories	33
4.6.1	Installing the wax baths	33
4.6.2	Connecting the wax baths	34
4.6.3	Fastening the wax bath connection cables (instruments with fume control system only)	35
4.6.4	Installing the reagent stations	35
5.	The User Interface	36
6.	Programming the Instrument	42
6.1	General description	42
6.1.1	Special characteristics of two-basket programs	43
6.2	Setting-up/editing programs	44
6.2.1	Selecting programming mode	44
6.2.2	Selecting the program	44
6.2.3	Selecting the number of baskets	44
6.2.4	Selecting the starting station	45
6.2.5	Activating the vacuum function (instruments with vacuum function only)	45

Table of contents


6.2.6	Selecting infiltration times per station	46
6.2.7	Displaying total program duration	47
6.2.8	Leaving the programming mode	47
7.	Preparations for Tissue Processing	48
7.1	Filling the reagent stations	48
7.2	Filling the wax baths	49
7.3	Inserting the tissue basket	51
8.	Operating the Instrument in the Manual Processing Mode	53
8.1	Lifting and lowering the tissue basket	53
8.2	Moving the tissue basket to the next station	54
8.3	Activating the vacuum function (instruments with vacuum function only)	55
9.	Operating the Instrument in the Automatic Processing Mode	56
9.1	Starting a program	56
9.1.1	Immediate start	56
9.1.2	Delayed start	58
9.2	Editing and modifying programs while a processing cycle is in progress	62
9.3	Displaying end of processing time	62
9.4	Pausing a process	63
9.5	Resuming a paused process	64
9.6	Stopping or terminating a process	64
9.7	End of an automatic process	65
9.8	Removing the specimens	66
9.9	Finishing the daily routine	66
10.	Warning and Error Codes - Troubleshooting	67
10.1	Warning codes	67
10.2	Error messages	69
10.3.1	'POWER FAILURE' and 'WRONG STATION' messages	71
10.3.2	Measures to remove specimen material in case of prolonged power failure	72
10.4	'ABORT' message	74
11.	Cleaning	75
12.	Maintenance	77
12.1	General maintenance instructions	77
12.2	Wax bath	78
12.2.1	Altering the standard working temperature	78
12.2.2	Reset after excess temperature shutdown	79
12.3	Replacing the fuses	80

Table of contents


13.	Optional Accessories	81
13.1	Three-level tissue basket	81
13.2	Basket removal device	82
13.3	Basket holder for second tissue basket	83
13.4	Connecting the fume outlet tube (optional accessory for instruments with fume control system)	86
13.5	Inserting the activated carbon filters (optional accessory for instruments with fume control system)	87
14.	Ordering information	88
14.1	Accessories	88
15.	Appendix	89
15.1	Modifying the instrument configuration	89
15.2	Reagents appropriate for use with the instrument	92
15.4	Factory-set programs	93

Symbols used in this manual and their meaning



Warnings appear in a gray box and are marked by a warning triangle .



Notes, i.e. important user information appear in a gray box and are marked by an information symbol .

(5)

Figures in brackets refer to item nos. in drawings.

ENTER

Function keys to be pressed on the instrument touch screen are written in bold-print capital letters.

Qualification of personnel

- The Leica TP1020 may be operated only by trained laboratory personnel.
- All laboratory personnel designated to operate the Leica instrument must read these Instructions for Use carefully and must be familiar with all technical features of the instrument before attempting to operate it.

Designated use

The instrument has been designed so that it is safe to use by the operator as well as for processing specimens - provided that it is operated according to the present Instructions for Use.

The Leica TP1020 is a modular automated tissue processor designed for the following laboratory applications:

- fixation
- dehydration
- paraffin wax infiltration

of histological tissue specimens.

The Leica TP1020 must be operated exclusively with the reagents listed in chapter 15.



Any other use of the instrument is considered improper! Failure to adhere to these instructions may result in an accident, personal injury, damage to the instrument or accessory equipment.

Instrument type

All information provided in these Instructions for Use applies only to the instrument type indicated on the title page.

A name plate indicating the instrument serial number is attached to the back of the instrument.



Fig. 1

2. Safety



Make sure to comply with the safety instructions and warnings in this chapter. Make sure to read these instructions, even if you are already familiar with the operation and use of other Leica products.

2.1 Safety notes

These Instructions for Use includes important information related to the operating safety and maintenance of the instrument.

The Instructions for Use are an important part of the product, and must be read carefully prior to startup and use and must always be kept near the instrument.

This instrument has been built and tested in accordance with the following safety regulations on electrical measuring, control, regulating and laboratory devices.

In order to maintain this condition and to ensure safe operation, the operator must observe the instructions and warnings contained in these Instructions for Use.



If additional requirements for accident prevention and environmental protection exceeding the scope of these Instructions for Use are imposed by laws/regulations of the country of operation, these Instructions for Use must be supplemented by appropriate instructions to ensure compliance with such requirements.



**For current information about applicable standards, please refer to the CE declaration of conformity on our internet site:
www.leica-microsystems.com**



The protective devices on both instrument and accessories may neither be removed nor modified. Only authorized and qualified service personnel may repair the instrument and access the instrument's internal components.

2.2 Warnings

The safety devices installed in this instrument by the manufacturer only constitute the basis for accident prevention. Primarily responsible for accident-free operation is above all the institution which owns the instrument and, in addition,

the designated personnel who operates, services or repairs the instrument.

To ensure trouble-free operation of the instrument, make sure to comply with the following instructions and warnings.

Transport and installation



- Keep in mind **Chapter 3**, 'Technical data'!
- During transport, keep the instrument upright!
- When transporting the instrument, do not lift it up by the carousel cover!
- This instrument may not be operated in hazardous locations!
- **Attention:** the voltage selector is factory preset. Before connecting the instrument to the mains make sure the correct setting matching your laboratory's power supply has been selected. The socket for connecting the mains cable, located at the rear of the instrument is sealed with an adhesive tape which indicates the factory preset voltage for your particular instrument.
- Connecting the instrument to the mains with the voltage selector set at a wrong value can cause severe damage to the instrument!
- When adjusting the voltage selector setting, the instrument must be disconnected from the power supply.
- The instrument may only be connected to the mains with the cable supplied together with the instrument and it may only be connected to grounded sockets.

Operating the instrument



- The carousel may not be rotated manually! Severe damage will result from doing so!
- Caution when lowering the carousel! Keep your fingers out of the space between the container lid and the upper rim of the container!
- Caution! In case of a power failure, the carousel automatically descends into a station.
- Instruments equipped with vacuum function may only be operated with the aluminum containers supplied together with the instrument. Glass beakers used in combination with the vacuum accessories have a high hazard potential when damaged!
- While operating the instrument, no liquid may enter in contact with any of the electrical connections or the interior of the instrument.
- Make sure to observe the level indicators on the reagent containers and wax baths.
- **Warning!** Use caution when handling solvents! Make sure the premises are adequately ventilated! Explosion hazard!
- Spilled reagents have to be wiped away immediately. In case of long-term exposure, the instrument surfaces are only conditionally resistant to solvents.

2. Safety

Operating the instrument (continued)



- Always observe worker's protection rules and use adequate protective gear (gloves, laboratory coats).
- The heated wax baths may only be used with paraffin. Under no circumstances may they be filled with solvents. When solvents heat, a highly explosive mixture builds up!
- Caution! The interior containers of the wax baths become very hot when the heating function is activated! Do not touch the gray upper rim of the containers with your hands! Risk of injury!
- Caution when handling hot paraffin! Risk of injury!

Cleaning



- Before cleaning the instrument, disconnect the mains switch.
- Caution! The interior containers of the wax baths become very hot when the heating function is activated! Do not touch the gray upper rim of the containers with your hands! Risk of injury!
- Caution when handling hot paraffin! Risk of injury!
- When cleaning the instrument, no liquid may enter in contact with any of the electrical connections or the interior of the instrument.
- Spilled reagents have to be wiped away immediately. In case of long-term exposure, the instrument surfaces are only conditionally resistant to solvents.
- To clean the painted surfaces, the container platform and the control panel, do not use solvents containing acetone or xylene; neither use abrasive cleaning powders! Only mild household detergents may be used! The lacquered surfaces and the control panel are not resistant to xylene or acetone!

Maintenance



- For purposes of maintenance or repair, the instrument may only be opened by service technicians authorized by Leica.
- Before exchanging the fuses, switch off the mains switch and unplug the instrument!
- Burnt-out fuses may only be replaced by fuses of the same type and specification. For appropriate brands and specifications, see [Chapter 3 'Technical Data'](#).

Wax baths



- If the excess temperature repeatedly - please call Leica Technical Service. **DO NOT** continue to use the wax bath.
- Check if the wax bath works trouble-free. Use of defective wax baths has to be discontinued for safety reasons!
- Empty the wax baths completely before the paraffin cools! When cooling down, the paraffin contracts, which can cause damage to the wax bath.

Activated carbon filter (optional accessory)



- **Warning! Fire hazard!** If a filter becomes saturated with solvent, there is a potential fire risk! It is important that the activated carbon filters are changed at factory recommended intervals.

3. Instrument Components and Specifications

3.1 Technical data

Type **TP1020**
Approvals UL / cUL / VDE

Electrical data

Nominal voltage 100 / 120 / 230 / 240 V AC $\pm 10\%$
Nominal frequency 50 - 60 Hz
Power fuses (MDA by Bussmann) 2x T 10.0 A L250V, UL listed
Nominal power 700 VA

Classifications according to IEC-1010/EN61010-1:

Protective class I
Pollution degree 2
Overvoltage category II

Maximum heat emission 700 J/s

Operating temperature range 5 °C – 40 °C
Relative humidity 80 % non-condensing

Dimensions

Carousel cover 820 mm Ø
Height 595 – 780 mm
Pitch diameter of rollers 610 mm Ø

Weight

Net weight (including accessories) 60 kg
Net weight, including packaging material 116 kg

Wax baths

Quantity 2 (optionally 3)
Volume 1.8 l
Nominal voltage 230 V AC, 50-60 Hz
Nominal capacity per station 150 VA
Temperature setting range 45 °C – 65 °C ± 3 K
Excess temperature shutdown 85 °C ± 5 K

3. Instrument Components and Specifications

Technical Data (continued)

Reagent stations

Quantity 10 (9 when 3rd wax bath is installed)
Volume 1.8l

tissue basket

Quantity 1 (optionally 2)
Holding capacity 100 cassettes (optionally 200)

Programs

Quantity 9, freely selectable
Programmable infiltration time per station 99 h 59 min
Start delay 9 days
Dripping time 60 seconds

Vacuum function (types 3, 5, 7, 8 and 11 only, see Chapter 3.3)

Pressure differential Max. 500 hPa \pm 10% (approx. 0.5bar)

3. Instrument Components and Specifications

3.2 Description of the instrument

The Leica TP1020 is an automatic tissue processor designed for laboratory applications. It is used for the fixation, dehydration and infiltration of histological tissue samples with fixatives, alcohol, solvents and paraffin wax.

The reagent stations numbered 1 - 10 are used to contain reagents. Station 10 may be replaced with an optional third wax bath. Stations 11, 12, and if used 10, are heated, temperature controlled wax baths that can be filled with either wax pellets or molten paraffin wax.

Embedding cassettes used to hold the tissue samples, are placed into the tissue basket. The basic instrument is designed for a single tissue basket. An optional second basket can be added. The basket, or baskets, are moved clockwise from station to station.

To ensure thorough infiltration the basket containing the tissue samples is agitated, by moving up and down, at each station. This function can be switched off at any time.

During processing as the tissue basket moves from station to station there is a delay period of sixty (60) seconds during which time the basket is suspended above the station. Excess liquid can drip down during this process. This ensures that there is minimal reagent carryover from station to station.

All instrument functions are activated through the control panel. Real time is displayed via LCD. The instrument can be operated in manual and automatic processing mode. Automatic processing is controlled via 9 different programs which can be individually set up, altered and edited.

If a power failure occurs, the specimens are protected from drying out - even when overnight processing has been selected, since in case of a power failure the tissue basket will always be immersed into a station. Once mains power is restored, processing will be resumed where it had been interrupted. After a long-term power failure, critical excess immersion time in a station will be visually displayed.

3.3 Standard delivery

The Leica TP1020 is available in eleven different configurations, which are described below. All variants also include accessories as described in the table on page 17.



**If the vacuum function or extraction is required for the intended processes to be carried out using this instrument, this information must be included in the original order.
It is not possible to retrofit any instrument variant for use with vacuum function or extraction!**

Type 1

Order No.

One basket operation / standard tissue basket
Without vacuum / without fume control.

1 Basic instrument	14 0422 30543
12 Glass beakers with handle	14 0422 42545
2 Wax baths, (1.8 liter)	14 0422 30665
1 Standard tissue basket	14 0422 30585

Type 2

Two basket operation (double-loading)/standard tissue baskets.
Without vacuum / without fume control.

1 Basic instrument	14 0422 31418
11 Glass beakers with handle	14 0422 42545
3 Wax baths, (1.8 liter)	14 0422 30665
2 Standard tissue baskets	14 0422 30585

Type 3

One basket operation / standard tissue basket
With vacuum / without fume control.

1 Basic instrument	14 0422 30536
10 Aluminum reagent containers for vacuum	14 0422 42545
10 Reagent container carriers	14 0422 42545
2 Wax baths, (1.8 liter)	14 0422 30665
1 Standard tissue basket	14 0422 30585

Type 4

One basket operation / standard tissue basket
Without vacuum / with fume control system.

1 Basic instrument	14 0422 30537
12 Glass beakers with handle	14 0422 42545
2 Wax baths, (1.8 liter)	14 0422 30665
1 Standard tissue basket	14 0422 30585
1 Tubing band clamp	14 0422 31973

3. Instrument Components and Specifications

Standard delivery continued

	Order No.
Type 5	
One basket operation/standard tissue basket. With vacuum/with fume control system.	
1 Basic instrument with vacuum and extraction	14 0422 30535
10 Aluminum reagent containers for vacuum	14 0422 42545
10 Reagent container carriers	14 0422 42545
2 Wax baths, (1.8 liter)	14 0422 30665
1 Standard tissue basket	14 0422 30585
1 Tubing band clamp	14 0422 31973
Type 6	
Two basket operation (double-loading)/standard tissue baskets. Without vacuum/with fume control system.	
1 Basic instrument with extraction	14 0422 31416
11 Glass beakers with handle	14 0422 42545
3 Wax baths, (1.8 liter)	14 0422 30665
2 Standard tissue baskets	14 0422 30585
1 Tubing band clamp	14 0422 31973
Type 7	
Two basket operation (double-loading)/standard tissue baskets. With vacuum/with fume control system.	
1 Basic instrument	14 0422 31412
9 Aluminum reagent containers for vacuum	14 0422 42545
9 Reagent container carriers	14 0422 42545
3 Wax baths, (1.8 liter)	14 0422 30665
2 Standard tissue baskets	14 0422 30585
1 Tubing band clamp	14 0422 31973
Type 8	
Two basket operation (double-loading)/standard tissue baskets. With vacuum/without fume control system. Connection for optional third wax bath includes second tissue basket carrier.	
1 Basic instrument	14 0422 31414
9 Aluminum reagent containers for vacuum	14 0422 42545
9 Reagent container carriers	14 0422 42545
3 Wax baths, (1.8 liter)	14 0422 30665
2 Standard tissue baskets	14 0422 30585
Type 9	
Basic Instrument for processing with chloroform as clearing reagent	
1 Basic instrument	14 0422 42238
12 Glass beakers with handle	14 0422 42545
2 Wax baths for chloroform	14 0422 32001
1 Standard tissue basket	14 0422 30585

3. Instrument Components and Specifications

Standard delivery continued

Type 10

One basket operation/standard tissue basket. With fume control system and accessories.

1 Basic instrument	14 91020 US01
12 Glass beakers with handle	14 0422 42545
2 Wax baths, (1.8 liter)	14 0422 30665
1 Standard tissue basket	14 0422 30585
1 Tubing band clamp	14 0422 31973
1 Activated carbon filter - Standard	14 0422 30673
1 Activated carbon filter for formaldehyde	14 0422 30674
1 Exhaust hose, diameter 50 mm, 4 m long	14 0422 31975

Type 11

One basket operation/standard tissue basket. With vacuum, fume control system and accessories.

1 Basic instrument	14 91020 US02
10 Aluminum reagent containers for vacuum	14 0422 42545
10 Reagent container carriers	14 0422 42545
2 Wax baths, (1.8 liter)	14 0422 30665
1 Standard tissue basket	14 0422 30585
1 Tubing band clamp	14 0422 31973
1 Activated carbon filter - Standard	14 0422 30673
1 Activated carbon filter for formaldehyde	14 0422 30674
1 Exhaust hose, diameter 50 mm, 4 m long	14 0422 31975

All instrument variants of the Leica TP1020 come with the following accessories:

4 Replacement fuses T 10.0 A L250V	14 0600 00759
1 Set of power cables	14 0411 45754
1 Power cable for Germany	14 0411 13558
1 Power cable for USA/Canada/Japan	14 0411 13559
1 Power cable for UK ST/BU F-5A	14 0411 27822
1 Screwdriver 5.5 x 200	14 0170 10702
1 Crank handle, size 4, mounted	14 0222 30663
1 Instructions for Use for Leica TP1020	14 0422 80001



You will find the standard accessories and - in case you ordered them - further parts in the upper portion of the packing box.

Compare the delivered parts with the packing list and your actual order. If you find any discrepancies, please contact your local Leica sales organization immediately.

3. Instrument Components and Specifications

3.4 General overview Leica TP1020 - with additional wax bath (optional accessory)

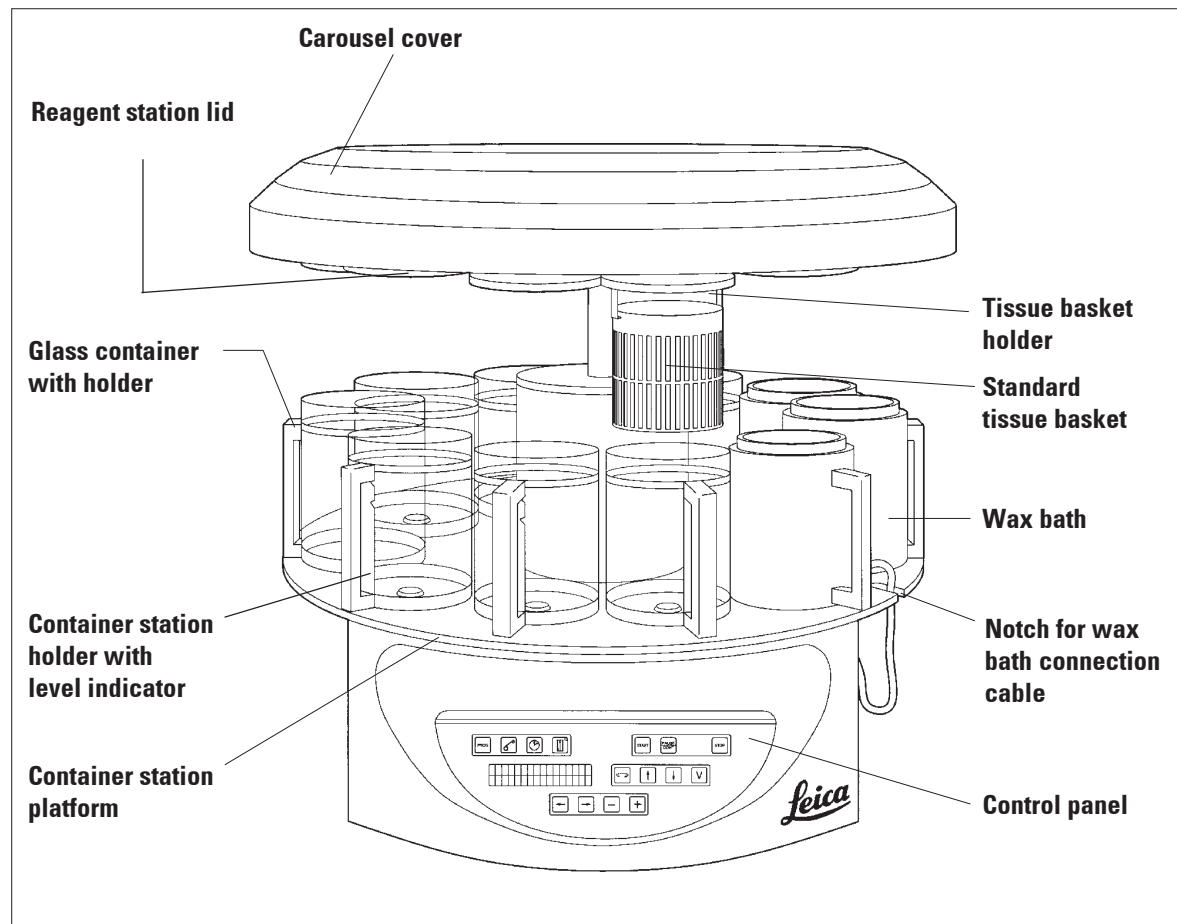


Fig. 2

3. Instrument Components and Specifications

General overview Leica TP1020 - with additional wax bath (optional accessory, continued)

Continued

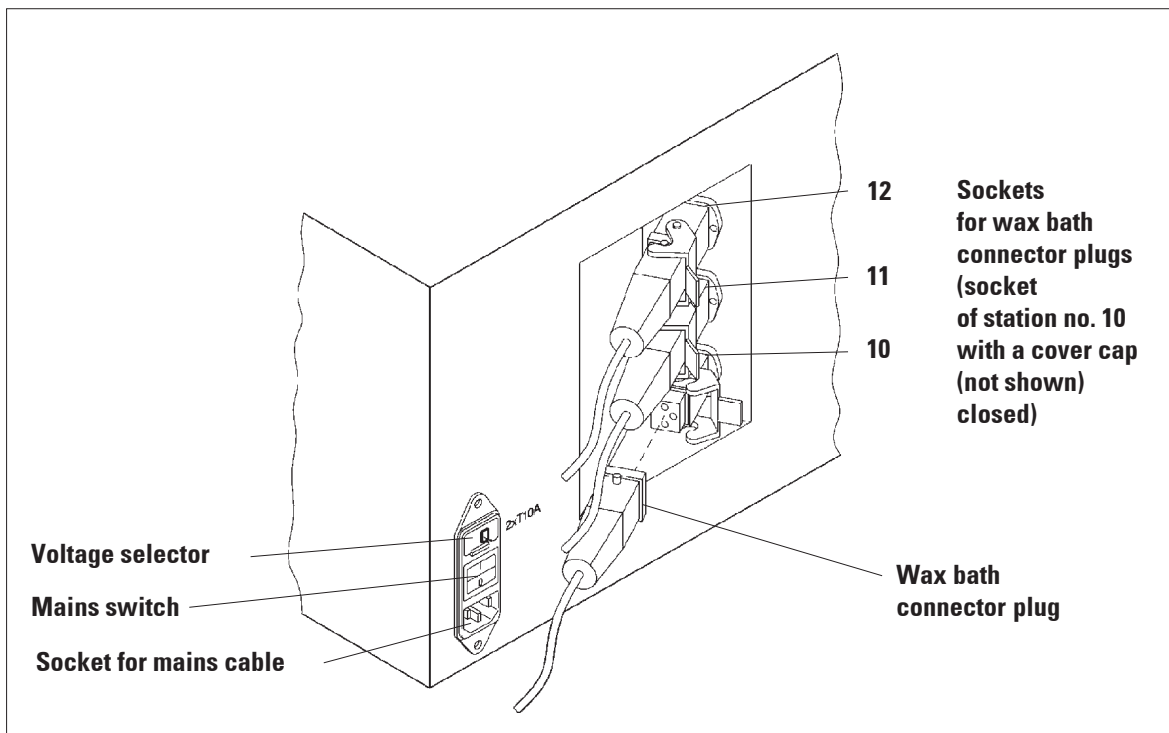


Fig. 3 - TP1020 - rear side

3. Instrument Components and Specifications

3.5 General overview Leica TP1020 - with fume control system

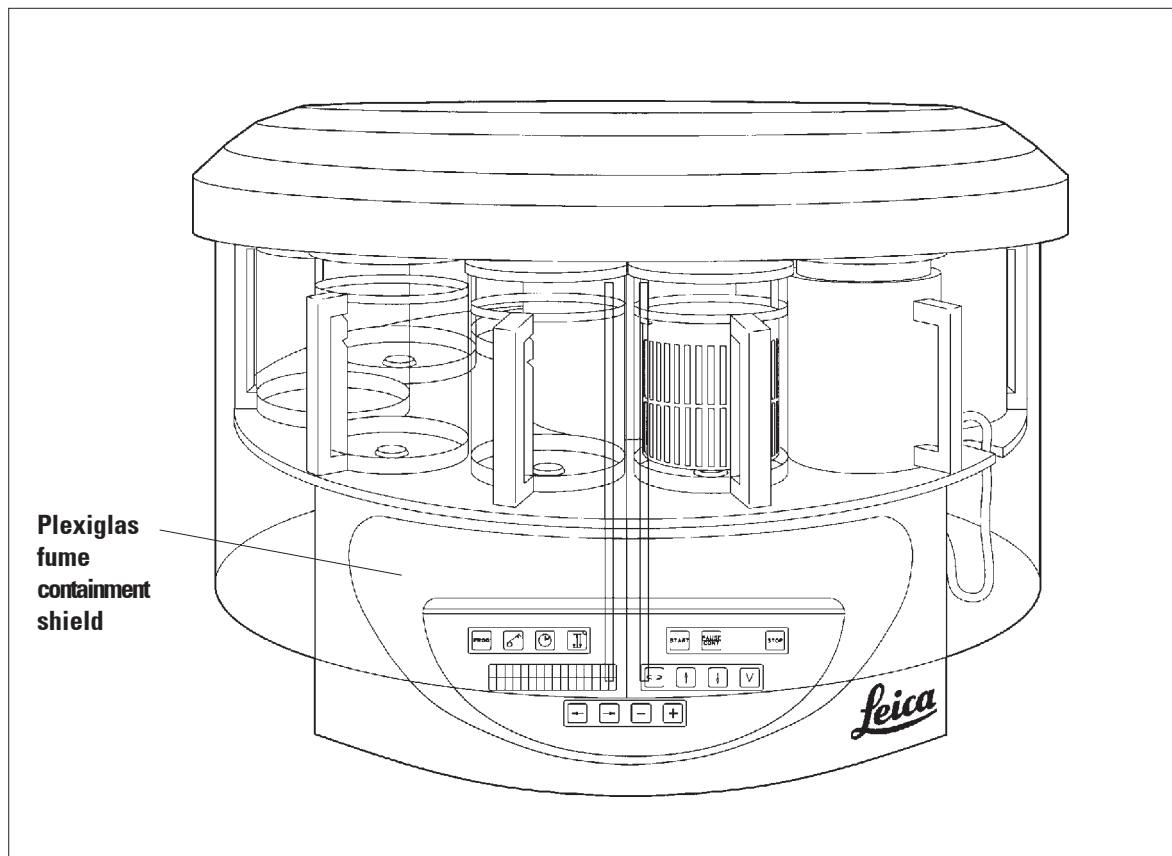


Fig. 4

3. Instrument Components and Specifications

General overview Leica TP1020 - with fume control system (continued)

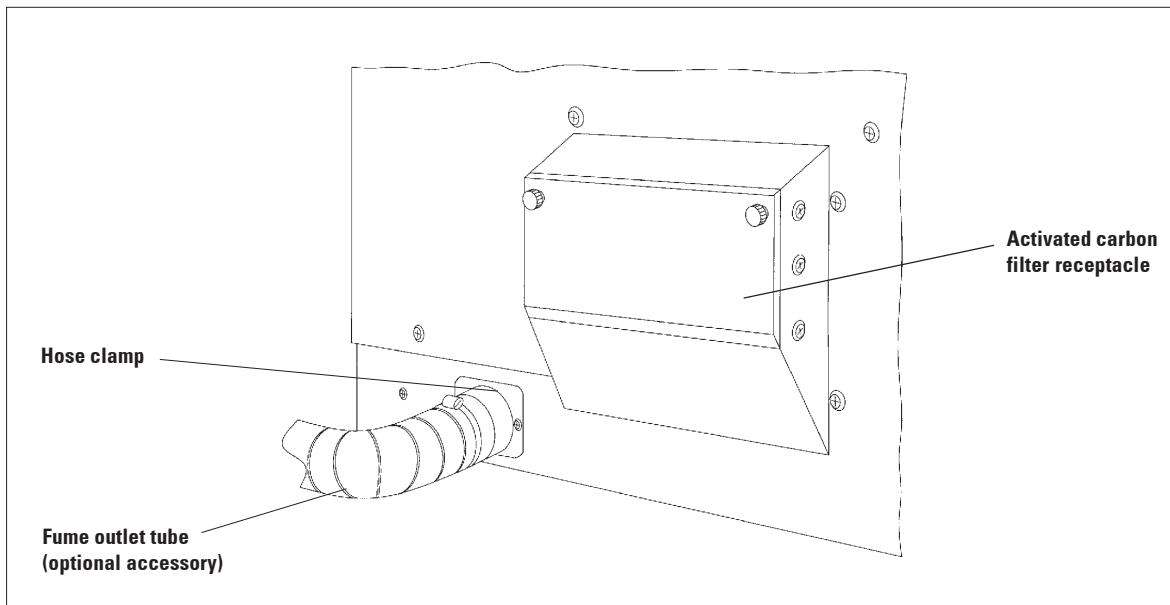


Fig. 5

3. Instrument Components and Specifications

3.6 Accessories supplied

3.6.1 Standard tissue basket

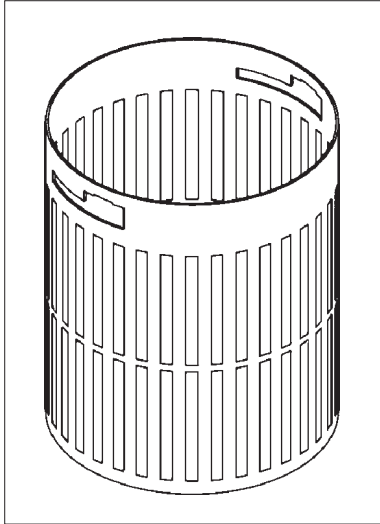


Fig. 6

Capacity: 100 cassettes

Tissue cassettes are loosely arranged in the basket. The maximum capacity is 100 cassettes. The cassettes are stacked in the basket. So that the infiltration process is not disturbed, no cassette may lie on top of the stack. The maximum filling level must be reduced. Depending on the size of the specimens and the use of foam supports or paper towels, the minimum filling level can also be used as the maximum filling level. For processing 100 cassettes, the maximum filling level for the reagents is approximately 1200 ml.

3.6.2 Glass beaker with holder



Fig. 7

Holding capacity: 1.8 l

The reagent container consists of a glass beaker with holder.

The wall of the beaker has two marks (**Min**, **Max**) that specify the minimum and maximum level in the container.

The level must not exceed the Max mark or fall below the Min mark during filling.

3.6.3 Aluminum container with holder (standard outfit in instruments with vacuum function or available as optional accessory for other types)

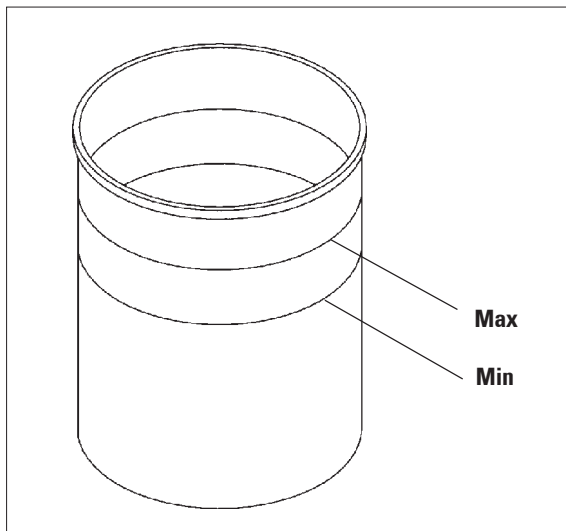


Fig. 8

Holding capacity: 1.8 l

Instruments equipped with vacuum function are supplied with aluminum containers instead of glass containers.

In aluminum containers the level indications marks are located on the inside of the container.

When filling the container make sure the filling level is not below the minimum or above the maximum level indication mark.

3. Instrument Components and Specifications

3.6.4 Wax bath

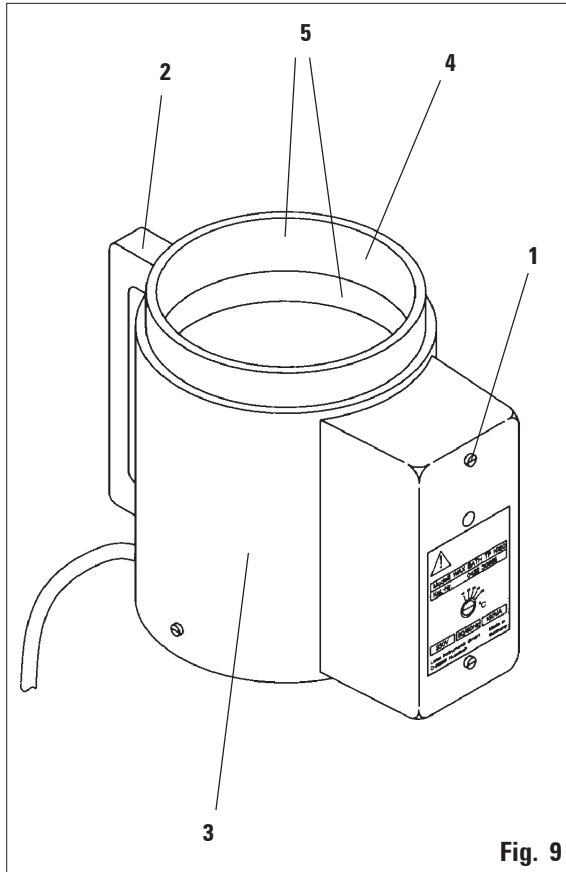


Fig. 9

Holding capacity:	1.8 l
Nominal supply voltages:	230 V AC 50 - 60 Hz
Nominal capacity (heating):	150 VA
Temperature setting range:	45 - 65 °C ±3 K
Excess temperature switch-off mechanism:	at 85 °C ±5 K

If the actual temperature rises above the range of normal working temperature, an excess temperature switch-off mechanism responds. The wax bath heating is disconnected. The yellow signal lamp is extinguished. Use of the wax bath can be resumed only after a cooling down period. For cooling down, disconnect the wax bath connector plug from the socket at the rear of the instrument, or switch off the main switch.

The wax baths are equipped with heating. While the heating is functioning, the yellow pilot lamp lights (1).

The handle (2) is insulated. The outside wall (3) is likewise thermally insulated. However, it becomes hot to the touch in heating operation. Despite this, burn hazard exists when touching it.



Caution! The interior container (4) of the wax bath becomes very hot when the heating function is activated! Do not touch the gray upper rim of the containers with your hands! Risk of injury!

The inside of the interior container (4) is coated with Teflon. The interior container gets very hot. It has minimum and maximum level indicator marks (5).



If the excess temperature switch-off mechanism reacts several times, call Technical Service without delay. DO NOT continue to use the wax bath.



Empty the wax baths completely before the paraffin cools! When cooling down, the paraffin contracts, which can cause damage to the wax bath.

4.1 Unpacking instructions



When the instrument arrives, check the tilt indicator (Fig. 10) on the package. If the arrowhead is blue, the shipment was transported laying flat, was tilted at too great an angle or fell over during transport.

Note this on the shipping documents and check the shipment for possible damage. If obviously there is damage, please contact your freight forwarder immediately.

Fig. 10



Caution when removing the metal strips!
There is a risk of injury when opening them (the strip has sharp edges and is under tension)!

- To remove the metal strips (1), you need metal shears and suitable gloves. Stand next to the crate and cut the strips at the location shown (see Fig 10a '↔' above).
- Lift the lid (2) off of the crate.
- Remove the Instructions for Use (3) and packing list.
- Remove all accessories (4) from the compartments of the cardboard grid (5).
- When all parts have been removed, lift them upwards and out and remove the intermediate bottom (6) underneath.
- Lift the outer carton ring (7) upwards and out.

Fig. 10a

4. Instrument Setup

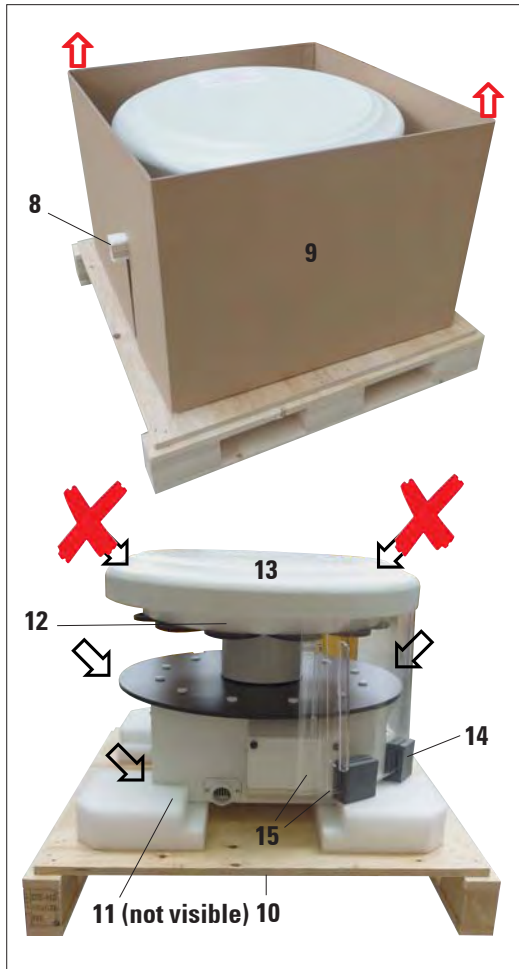


Fig. 10b

- Remove the wooden ledge (8) sideways from the interior box (9).
- Remove the interior box (9) in an upward movement.
- To lift up the instrument (using 2 persons), take it by the reagent container platform or by the lower end of the housing (see Fig. 10b '↖' '↗' below) and lift it from the base plate (10)!
- Install the instrument on a stable laboratory bench. Four rollers (11) under the instrument housing permit rotating the instrument on the bench.
- Remove the sponge rubber transport safety device (12) from under the carousel cover (13).
- Depending on the instrument version, 4 foam transport anchors (14) may have to be removed between the Plexiglas plates (15).



When transporting the instrument, do NOT lift it up by the carousel cover!



For safe transport of the instrument, we recommend keeping the original packaging.

Unpacking (continued)



When transporting the instrument, do not lift it up by the carousel cover!

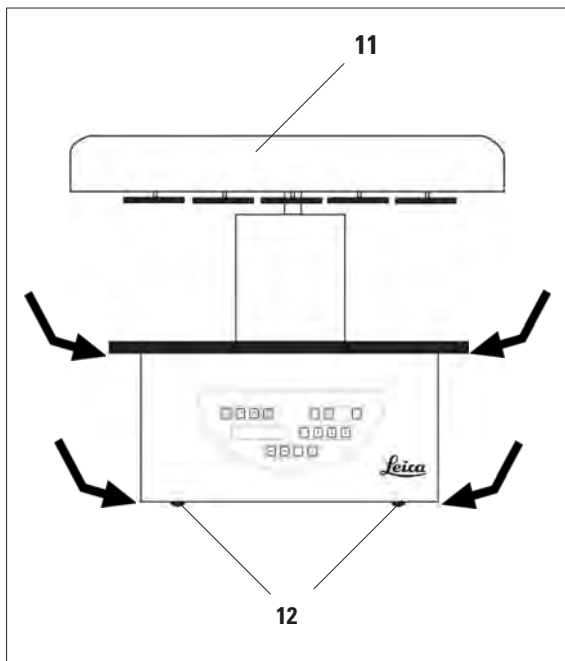


Fig. 11

- To lift up the instrument take it by the reagent container platform or by the lower end of the housing (**Fig. 11**) and lift it from the base plate (**8**).
 - Install the instrument on a stable laboratory bench.
- Four rollers (**12**) under the instrument housing permit rotating the instrument on the bench.
- Remove the sponge rubber transport safety device (**9**) from under the carousel cover (**11**).



For further secure transport of the instrument we recommend you keep the original packaging material.

4. Instrument Setup

4.2 Installation site requirements



Because of the quantity of solvents used for processing and the solvent concentrations that build up, for the instrument versions without fume control system (containment shields and activated carbon filter) we recommend installation in the laboratory's fume hood.

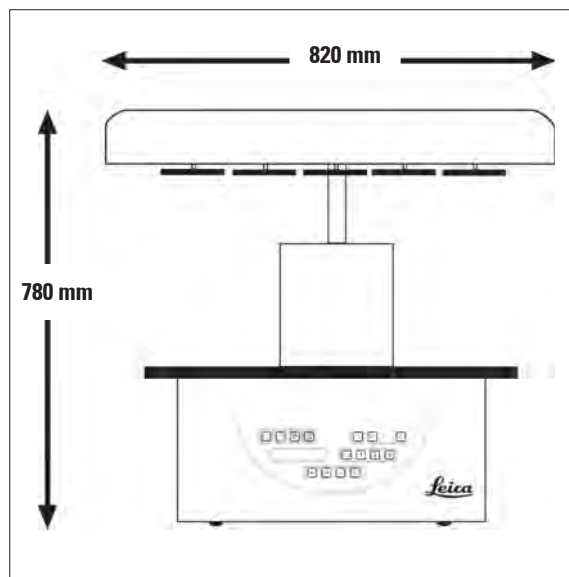


Fig. 12



This instrument may not be operated in hazardous locations!

The installation site has to fulfill the following conditions:

- Stable and plane installation surface.
- Minimum installation surface dimensions: 850 x 850 mm.
- Stable ambient temperature of +5°C to +40°C.
- Relative humidity: 80 % maximum.

Necessary conditions for electrical connection

- Grounded wall outlet near enough so it can be reached with the mains cable supplied together with the instrument.



If you wish to install the basket holder for a second tissue basket, you should do that now.
For mounting instructions, see [Chapter 13 'Optional Accessories'](#).

4.3 Electrical connection

4.3.1 Checking the voltage selector setting

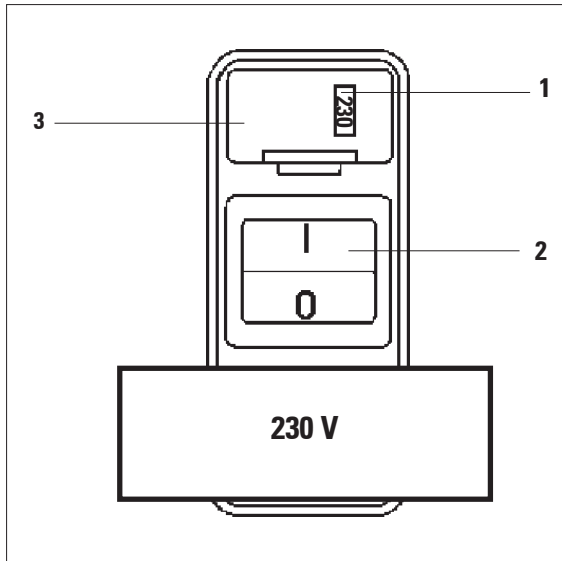


Fig. 13

The voltage selector is located in a shell (3) above the mains switch (2) at the rear of the instrument. The actual selected voltage can be seen in the window (1).

- Check if the setting showing in the window (1) corresponds to the nominal voltage in your laboratory.
- Remove the adhesive tape.

If the setting is correct proceed at [4.3.3](#).

If the setting does not correspond to the nominal voltage in your laboratory, the voltage selector **MUST** be adjusted to match your laboratory's electrical setting prior to connecting the instrument to the mains.



Important! The voltage selector is factory preset.

Before connecting the instrument to the mains make sure the correct setting matching your laboratory's power supply has been selected.

The socket for connecting the mains cable, located at the rear of the instrument, is sealed with an adhesive tape which indicates the factory preset voltage for your particular instrument.

Connecting the instrument to the mains with the voltage selector set at a wrong value can cause severe damage to the instrument!

4. Instrument Setup

4.3.2 Adjusting the voltage selector

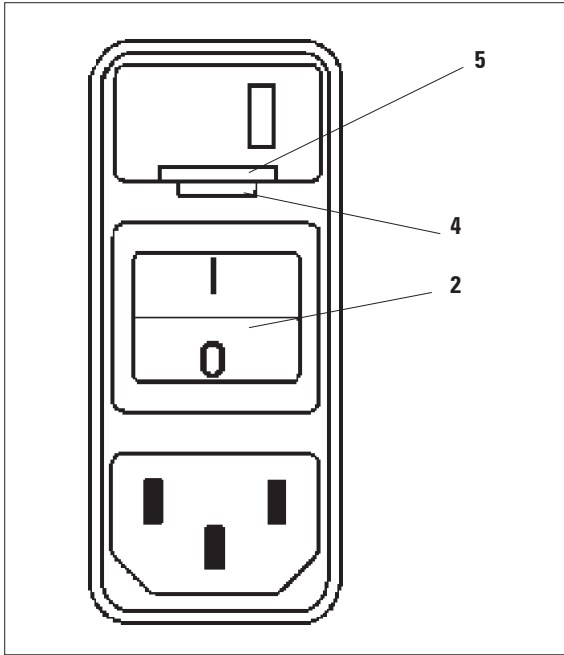


Fig. 14



When adjusting the voltage selector setting, the instrument must be disconnected from the mains.

- Insert the small screw driver (4) into the smaller one of the two notches at the lower end of the lock (5) using the screw driver as a lever.
- Remove the shell (3).
- Remove the voltage selector (6) from the shell (3) and reinsert it so that the correct voltage selection can be seen in the window (1) of the shell.
- Insert the voltage selector shell (3) together with the voltage selector (6) and fuses (7) back into the receptacle in the instrument and press lightly until it locks.
- Check again if the right setting shows in the window (1).

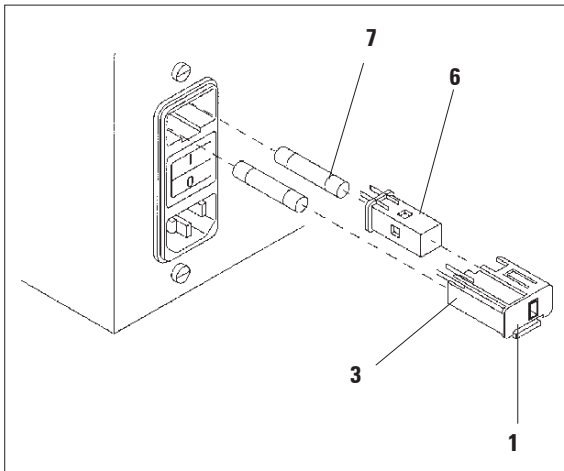


Fig. 15

4.3.3 Connecting the power cable



The instrument is supplied together with various country-specific mains cables.



The instrument may only be connected to the mains with the cable supplied together with the instrument and it may only be connected to grounded sockets.

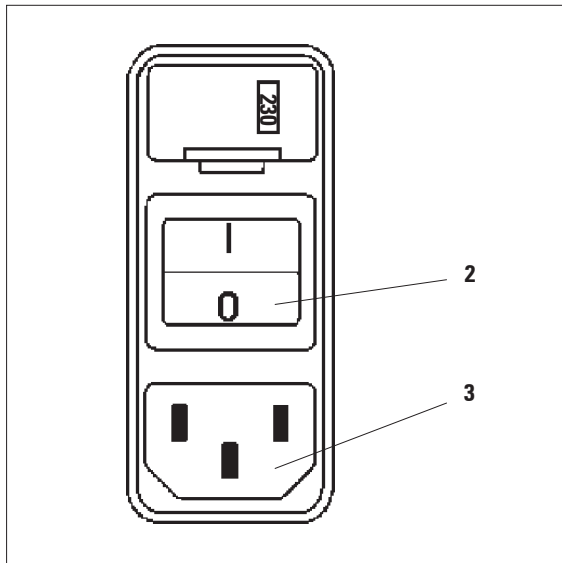


Fig. 16

- Before connecting the mains cable check if the mains switch (2) at the rear of the instrument is disconnected ('0').
- Out of the selection of cables, select the one with the plug that fits into your laboratory's wall outlets.
- Connect the mains cable to the corresponding socket (8) at the rear of the instrument and plug the mains cable into the wall outlet.

The instrument is ready to be switched on.

4.6 Installing the accessories

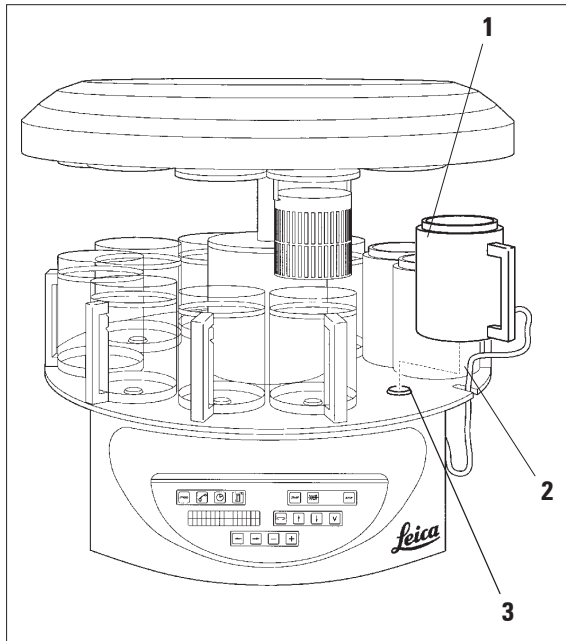


Fig. 17

- Press ARROW UP to lift the carousel.



To install and remove the reagent containers and wax baths, the instrument can be rotated on the bench. This ensures good access to all stations at any time.

4.6.1 Installing the wax baths



The Leica TP1020 basic instrument is delivered with two wax baths (no. 11 and 12). Optionally a third wax bath can be connected to station no. 10.

- Insert the wax bath connection cable (1) in the notch (2) in the platform and mount the wax bath onto the station holder (3).

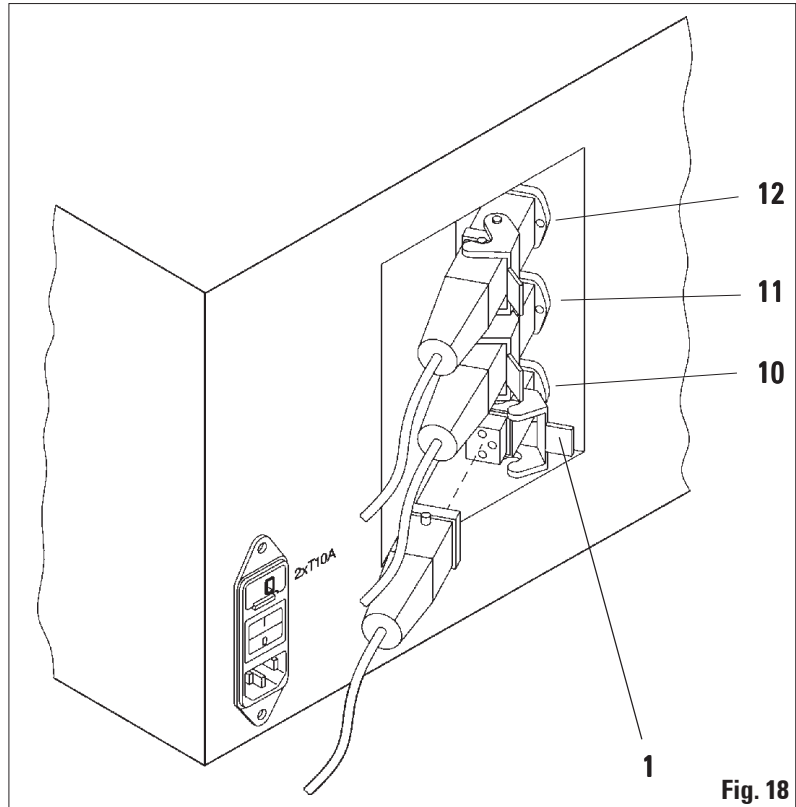
4. Instrument Setup

4.6.2 Connecting the wax baths



The connection plugs of each wax bath has to be inserted into the corresponding socket number at the rear of the instrument.

- Rotate the instrument so that the sockets are easily accessible.
- Insert plug number 12 into socket number 12.
- Insert plug number 11 into socket number 11.
- Lock clip (1) at each plug.



Before connecting a third wax bath to station no. 10, the cover cap has to be removed. Finally, the standard instrument configuration has to be altered accordingly. For detailed instructions, see [Chapter 15 'Modifying the instrument configuration'](#).

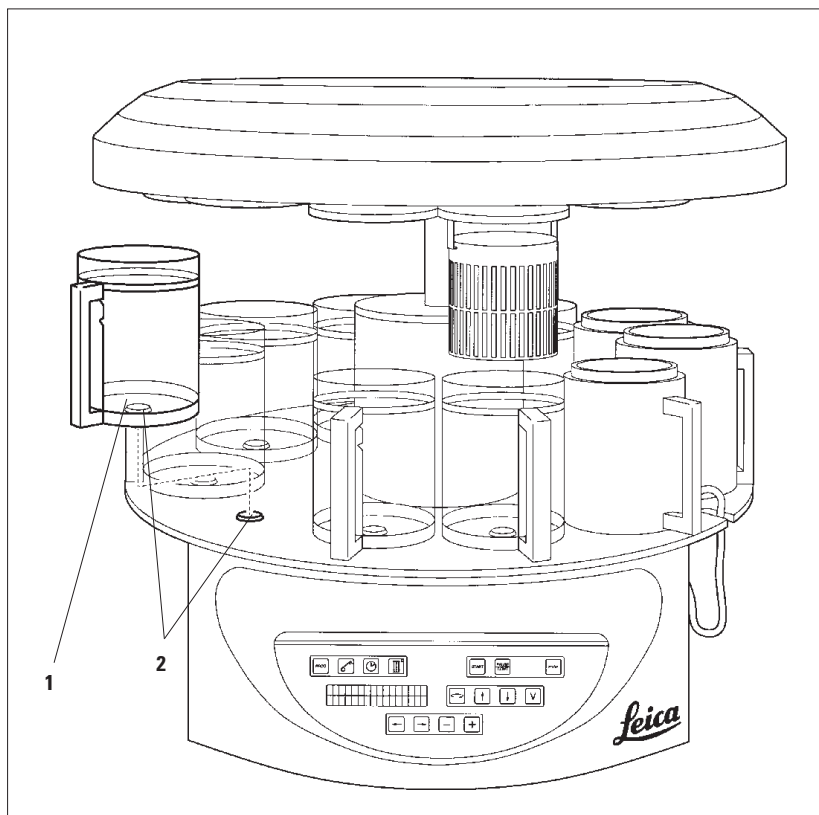
4.6.3 Fastening the wax bath connection cables (instruments with fume control system only)



Instruments with fume control system are equipped with a Plexi-glas fume containment shield which consists of two parts. To ensure the fume containment shields can be freely rotated and displaced as required without being obstructed by the wax bath connection cables, two magnetic clamps are provided on each of the cables to attach the cables to the housing.

After having mounted and connected the wax baths, place the magnetic clamps on the side wall of the housing so that the cables are fixed in a position that ensures free movement of the fume containment shields.

4.6.4 Installing the reagent stations



- Mount the reagent containers (1). (glass or aluminum) onto the station holders (2) of the platform.

Fig. 19

5. The User Interface

Control panel

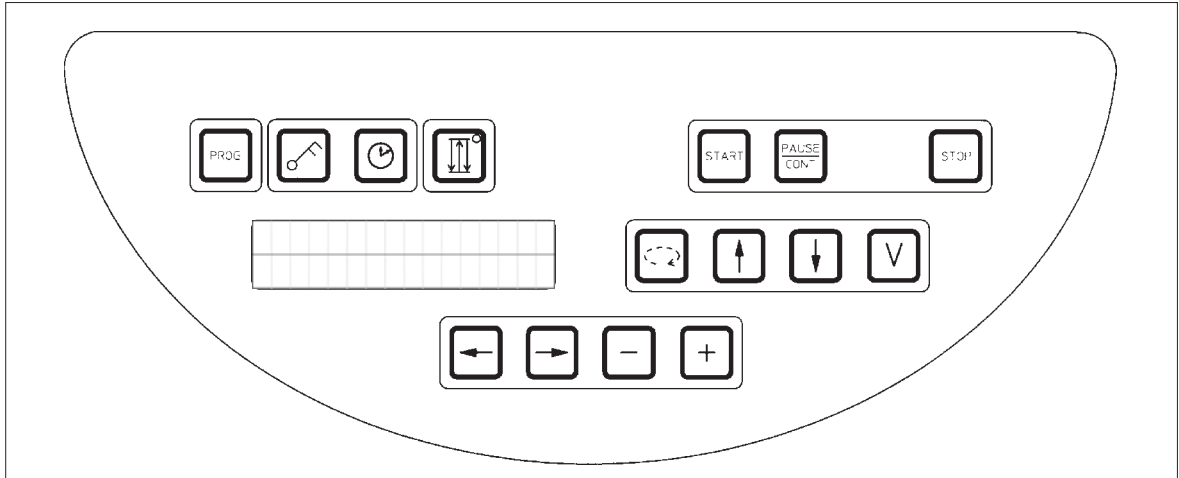
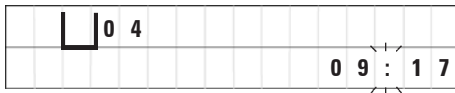


Fig. 20

The control panel is an easy-care key pad. The individual keys are organized in four functional groups. Pressing any key will be acknowledged by an audible signal. This function can be disconnected if required (see Chapter 15).

Display

The display is a two-line LCD indication, each line with 16 single characters. When the instrument is on, the display is always illuminated.



Processing station



The standard display shows the respective number of the station in which/above which the holder for the specimen basket is currently located. At the same time the display also reads real time (24 hour clock). The colon between hours and minutes is blinking.

The display shows all tissue processing parameters as well as the individual programs. Tissue baskets and processing station are displayed with symbols.

In addition to programming features other useful data is displayed; such as program duration and end of processing. Also displayed are warning codes (W:01 - W:06) to ensure trouble-free processing, and error codes (E:01 - E:13) which indicate instrument or data entry errors.

Key functions

Programming, control panel locking, time setting, up-and-down movement of the tissue basket



Programming button 'PROG'

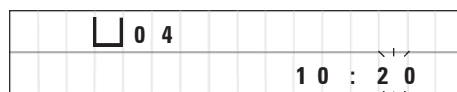
To call and quit the programming mode, in which programs are set up, edited and altered, and to display a program which is currently activated.

Lock button 'KEY'.

To lock all control panel functions as protection against accidental changes of programmed parameters.

- To activate and quit the lock function, press 'KEY' for 5 seconds.

'LOCKED' will be displayed.



After 10 seconds the display returns to standard reading.

All key functions with the exception of the locking key itself are now locked. Non of the key functions can be activated. When pressing any key, the display will always read 'LOCKED' for 10 seconds.

- To unlock the key functions, press 'KEY' again for 5 seconds.

All key functions will return to normal.



'CLOCK' symbol button

To set the time and to indicate the total duration, start time and expected end of automatic tissue processing programs.

The display differentiates between indication of time (real time, start time when working with delayed starting function, end time) - which is indicated through hyphens and colon - and indication of duration (holding time of the tissue basket in a particular station, total duration of process) - which is indicated through the letters 'd' and 'h'.

5. The User Interface

'THREE ARROW' button for carousel up and down movement



The '**THREE ARROW**' button is used to start and stop the carousel (tissue basket) up and down movement.

When this function is activated, the tissue basket is lifted and lowered in three-second intervals within the processing stations. This ensures a uniform mixing of all liquids and an optimized tissue infiltration.

This function is automatically activated when an automatic processing cycle is started.

It can be switched off and back on at any time, also when no processing cycle is running.

With the function being activated, the green diode in the '**THREE ARROW**' button is lighted.

- To switch off the function, press the '**THREE ARROW**' button.

The diode is extinguished; the function is switched off. It can, however, be turned back on at any time.

- To reactivate the function press the '**THREE ARROW**' button once again.



If the tissue basket is located in a wax bath that contains solid paraffin, the instrument disconnects the up/down function automatically.

Start, pause, resume, stop and abort automatic tissue processing cycles



'START' button

To immediately start processing or to insert delayed starting parameters for automatic processing after having selected a program.



'PAUSE/CONT' button

To pause and resume an automatic processing cycle.



When the function is activated, the display reads '**PAUSE**'. In addition, 5 minutes after last pressing a button, a double sound signal will remind the user that processing is still paused. This signal will repeat itself every 5 minutes until the automatic processing cycle is resumed.

When automatic processing is paused, the buttons for manual processing become functional, so that e.g. the tissue basket can be lifted out of the station to add tissue samples or to unload them for further/special processing.

The pause period is terminated by pressing the '**PAUSE/CONT**' button. The processing cycle is resumed and the remaining immersion time for that station is completed without interruption.

☐	☐	0	1	V	A	C		0	h	1	2
P 4	P	A	U	S	E						

'STOP' button

To immediately stop the carousel up and down movement (press once) or to abort a processing cycle in progress (press twice).

The display reads '**STOP?**'.



☐	☐	0	1	V	A	C		0	h	5	5
P 8	S	T	O	P	?						

5. The User Interface



Manual processing keys

These buttons are only functional in the manual processing mode a while and, while an automatic processing mode is paused, via the '**PAUSE/CONT**' button.



'CIRCLE ARROW' button to rotate the carousel

To move the tissue basket to the next station. Rotation is only clockwise and while the carousel is in the upper end position.

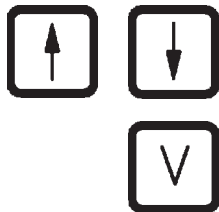


While the carousel is moving, the display reads '**WAIT!**' and two blinking arrows indicate the direction of the movement. Only when the carousel has completely come to a halt, this indication will disappear from the display. After the vacuum function is switched off using the '**V**' button, raising the basket is delayed until the venting of the container is completed.

'ARROW UP' and 'ARROW DOWN' button for vertical carousel movement

Lift and lower respectively the carousel to withdraw the basket from a processing station or insert a basket into a processing station.

To halt an up or down movement while still in progress, push one of the two buttons again. The movement will stop immediately when pressing the button.



Vacuum function (variant 2 and 4)

To connect / disconnect the vacuum function in the manual processing mode.



The Leica TP1020 is available with and without a vacuum function. The instrument versions without vacuum functions do have the '**V**' button in the control panel; however it is not functional '**V**' is not displayed. Of course a vacuum function cannot be activated with the '**V**' buttons in those cases.



These buttons are equipped with a repeat function. If one of the **ARROW** is pressed for a while, the cursor jumps to the respectively next data entry position. If one of the **PLUS / MINUS** buttons is pressed for a while, the displayed numerical value is continuously increased or decreased.



The Leica TP1020 is available with and without a vacuum function. For the variants without vacuum function, no 'V' appears in the display. Of course a vacuum function cannot be activated with the 'V' buttons in those cases.

Programming mode buttons

These buttons are used to enter or alter parameters when programming.

ARROW LEFT / ARROW RIGHT buttons (cursor)

To move the cursor in the direction of the arrow to the respectively next data entry position.

- When pressing one of the **ARROW** buttons, the cursor jumps to the next data entry position in the direction of the arrow.
- To switch lines press **ARROW LEFT**.

PLUS / MINUS buttons

To modify the parameter in the position where the cursor is located.

- To increase the numerical value, press **PLUS**.
- To decrease the numerical value, press **MINUS**.
- To change the number of baskets from 1 to 2, press **PLUS**.
- To change the number of baskets from 2 to 1, press **MINUS**.
- To change the station number press **PLUS** or **MINUS** respectively.
- To switch on the vacuum function (types 2 and 4) push **PLUS**.
- To deactivate the vacuum function (types 2 and 4), press **MINUS**.

6. Programming the Instrument

6.1 General description

Example of a one-basket-program

Station	Reagent	VAC	Duration
1	Formalin	V	1h00
2	Formalin	V	1h00
3	Alcohol 70 %	V	1h30
4	Alcohol 80 %	V	1h30
5	Alcohol 96 %	V	1h30
6	Alcohol 100 %	V	1h00
7	Alcohol 100 %	V	1h00
8	Alcohol 100 %	V	1h00
9	Xylene	V	1h30
10	Xylene	V	1h30
11	Paraffin	V	2h00
12	Paraffin	V	2h00

Programs are created step by step in the programming mode. Programming parameters have to be entered for each station individually. For that purpose, the cursor is moved to the corresponding data entry position with the **ARROW** buttons. The actual parameters are entered with the **PLUS / MINUS** keys. All entered parameters are memorized immediately.

The TP1020 has a memory capacity of 9 programs. Each program can be set up and edited by the user.

Programs nos. 6 to 9 have already been set up ex works. Programs nos. 6 and 7 contain a short-term or long-term program for one tissue basket each. Programs nos. 8 and 9 contain a short-term or long-term program for two tissue baskets each. These programs can be edited.

6.1.1 Special characteristics of two-basket programs

Example of a two-basket-program

Station	Reagent	VAC	Duration
1	Formalin	-	2h00
2	Formalin	-	2h00
3	Alcohol 70 %	-	2h00
4	Alcohol 80 %	-	2h00
5	Alcohol 96 %	-	2h00
6	Alcohol 100 %	-	2h00
7	Alcohol 100 %	-	2h00
8	Xylene	-	2h00
9	Xylene	-	2h00
10	Paraffin	-	2h00
11	Paraffin	-	2h00
12	Paraffin	-	2h00

In one-basket programs, for every processing station a different infiltration time can be selected.

However, in two-basket programs infiltration time is the same for every processing station. Basket no. 1 starts in station no. 2 and basket no. 2 starts to be processed in station no. 1.

If a one-basket program is modified into a two-basket program by adding a basket, the instrument automatically selects station no. 2 as starting container. At the same time the infiltration time for all stations is selected the same as the infiltration time for the actually displayed station. These changes alter the previous one-basket program permanently.

If the second basket is deleted, the starting container and the infiltration times remain as set for the two-basket program. They have to be reentered as desired for each individual station.

6. Programming the Instrument

6.2 Setting-up/editing programs

6.2.1 Selecting programming mode



- To select the programming mode, push the **PROG** key.

The following parameters are displayed:

- Number of baskets or ,
- Number of processing station 1 - 12,
- Vacuum '**ON**' or '**OFF**,'
- Tissue infiltration time in the displayed station '0 h 50 min',
- Program number 'P1 - P9',
- Programming mode '**PROG**'.

The cursor blinks at the program number.

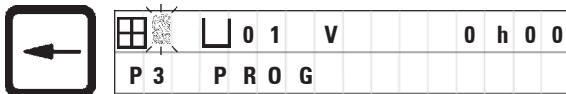
6.2.2 Selecting the program



- Select the desired program number by pressing **PLUS** or **MINUS**.



6.2.3 Selecting the number of baskets



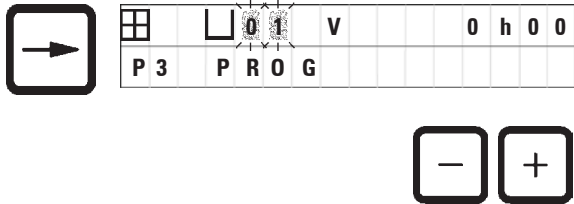
- Push the **ARROW LEFT** button to move the cursor to the upper line.

The cursor blinks next to the first basket symbol.

- To change the number of baskets from 1 to 2, press **PLUS**.
- To change the number of baskets from 2 to 1, press **MINUS**.

With this, the infiltration for the tissue baskets will be the same in all stations.

6.2.4 Selecting the starting station

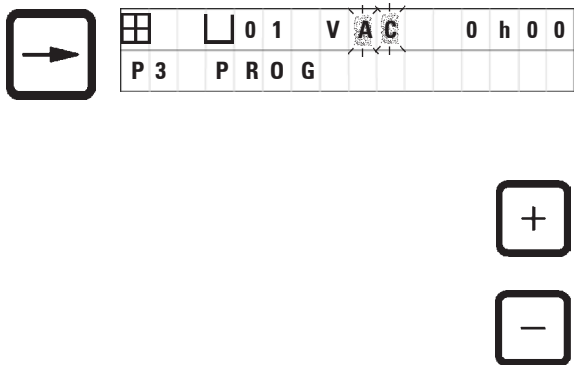


- Press **ARROW RIGHT** to move the cursor to the next entry position.

The cursor blinks at the station number data entry position.

- Select the desired station number by pressing **PLUS** or **MINUS**.

6.2.5 Activating the vacuum function (instruments with vacuum function only)



- Press **ARROW RIGHT** to move the cursor to the next entry position.

The cursor blinks at the two positions next to the 'V' for vacuum function.

- To activate the vacuum, press **PLUS**.
- To deactivate the vacuum, press **MINUS**.

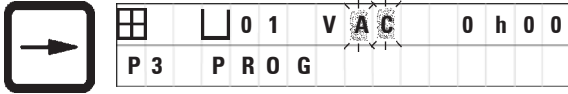


The Leica vacuum accessories for enhanced tissue infiltrations may **ONLY** be used with aluminum containers.

Glass beakers used in combination with the vacuum accessories have a high hazard potential when damaged!

6. Programming the Instrument

6.2.6 Selecting infiltration times per station



- Press **ARROW RIGHT** to move the cursor to the next entry position.

The cursor blinks at the hour entry digits.




- Press **PLUS** or **MINUS** respectively to enter the hours.



- Press **ARROW RIGHT** to move the cursor to the next entry position.

The cursor flashes on both digits destined for entering the minutes.


 For stations you wish to leave out of your program, select an infiltration time of 0 h 00 min.

- Press **PLUS** or **MINUS** to enter the minutes.

Setting range: 0 hrs. 05 min to 99 hrs. 59 min.,



Press **ARROW RIGHT** to quickly jump to the next station for entering the desired parameters (vacuum and infiltration time). Press **PLUS/MINUS** to enter the desired parameters.

 In two-basket programs infiltration time is the same for all stations!

6.2.7 Displaying total program duration

Once a program is set up, total run time can be displayed.

☐	☐	0	1	V	A	C		2	h	0	0	
P	T	O	T	A	L	1	d	0	0	h	1	2



- Press **CLOCK** to display the total run time of the program.

The total duration displayed here is 1 day, 0 hours and 12 minutes.



- To quit the display indication, press **CLOCK** again.



While you are in the programming mode, you cannot start a program. Prior to starting a program, you must quit the programming mode.

6.2.8 Leaving the programming mode

To end programming you have to leave the programming mode.



- Press **PROG** to quit programming.



Warning! Use caution when handling solvents! Make sure the premises are adequately ventilated! Explosion hazard!

Always observe worker's protection rules and use adequate protective gear (gloves, laboratory coats).

While operating the instrument, no liquid may enter in contact with any of the electrical connections or the interior of the instrument.



To remove and reinstall the reagent containers and wax baths, the instrument can be rotated thus ensuring easy access to all stations at any time.

7. Preparations for Tissue Processing

7.1 Filling the reagent stations

- Lift the carousel cover.
- Fill all stations with the corresponding reagents. Make sure to observe the minimum and maximum level indication marks.



Spilled reagents have to be wiped away immediately. In case of long-term exposure, the instrument surfaces are only conditionally resistant to solvents.

- Mount every container onto the station holder at the corresponding station.



The container rims and sealing rings of the lids always have to be clean. The lids have to close tightly - otherwise larger amounts of solvent fumes will escape and, in instruments with vacuum function, vacuum will not be generated.

7.2 Filling the wax baths



The heated wax baths may only be used with paraffin. Under no circumstances may they be filled with solvents. When solvents heat, a highly explosive mixture builds up!
Caution! The interior containers of the wax baths become very hot when the heating function is activated! Do not touch the gray upper rim of the containers with your hands! Risk of injury!
Caution when handling hot paraffin! Risk of injury!

Altering the standard working temperature



Factory-set standard working temperature is 65 °C (70 °C on the special wax bath model that is resistant to chloroform). When working with paraffin that has a melting point below 58 °C, the instrument working temperature can be readjusted with the corresponding setting screw.

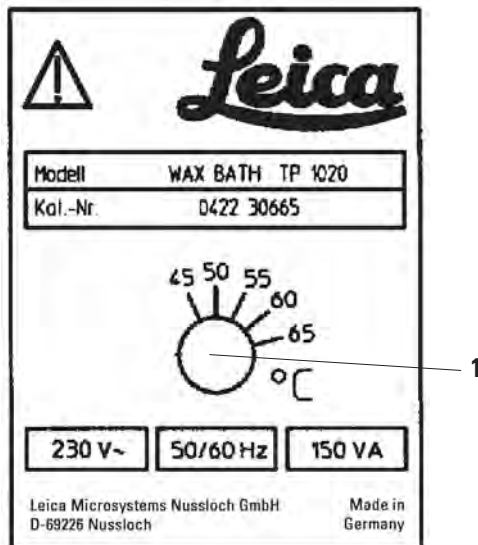


Fig. 21

- Use a screw driver to turn the setting screw (1) to the desired value.

If you find that the paraffin does not melt completely after lowering the working temperature, slightly readjust again.

7. Preparations for Tissue Processing

Altering the standard working temperature (continued)



**Do not overfill the wax baths!
The level of the liquid paraffin must not exceed the upper fill level mark on the inside of the wax bath.**

- To fill the wax baths, use wax pellets or paraffin which has already been liquefied.



When filling the station, make sure the paraffin level is not below the minimum level in which case there is a risk that not all specimens will be entirely immersed in paraffin and thus will not be infiltrated completely.



It may take several hours to liquefy solid paraffin. Make sure to calculate the waiting time! When refilling wax pellets, again make sure to observe the waiting time for complete liquefaction.

- Place the wax bath onto the corresponding station holder and push the cable into the notch at the edge of the platform.

Check for each wax bath whether it is actually installed at same station number it is connected to at the rear of the instrument.

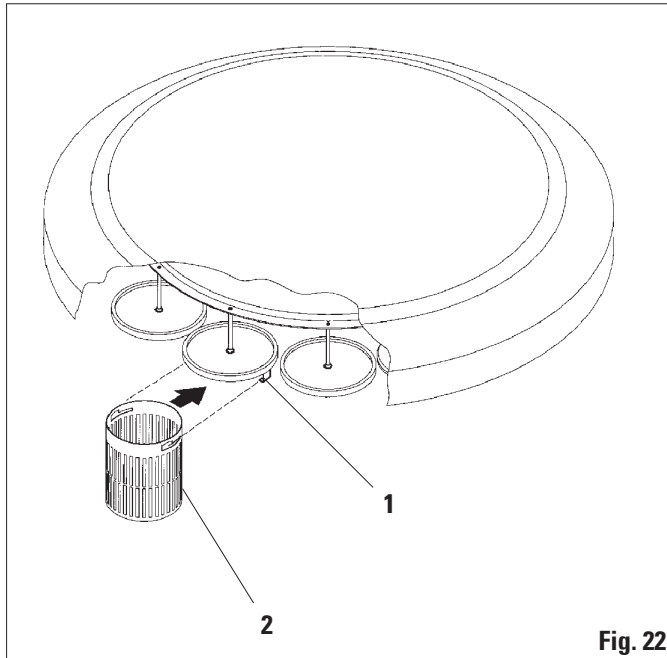


**The wax bath rims and sealing rings of the lids always have to be clean and undamaged.
The covers must close tightly, as for instruments with vacuum function, the vacuum would not be able to be built up.**

7.3 Inserting the tissue basket



Use caution when lowering the carousel! Keep your fingers out of the space between the container lid and the upper rim of the container!



- Fill the tissue cassettes or capsules into the tissue basket.
- To hook in the tissue basket(s), the basket holder(s) should not be located over a wax bath.
- Lift the carousel in the manual processing mode.
- Rotate the carousel so the basket holder (1) is located above the starting container for basket 1.
- Hook the tissue basket (2) into the basket holder as shown.
- Lower the basket into the starting container in the manual processing mode or start an automatic processing cycle.

Fig. 22



The carousel may not be rotated manually! Severe damage will result from doing so!

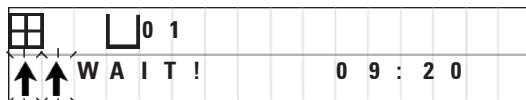
When working in the manual mode, all carousel movements are activated through the corresponding function keys on the control panel.

7. Preparations for Tissue Processing

Inserting the tissue basket (continued)



While the carousel is moving, the display reads 'WAIT!' and shows two blinking arrows which indicate the direction of movement in each particular case. When the carousel has completely come to a halt, this indication will disappear from the display.



To avoid reagent carryover as far as possible in the manual mode, allow for a sufficient dripping time.

8. Operating the Instrument in the Manual Processing Mode

8.1 Lifting and lowering the tissue basket



Use caution when lowering the carousel! Keep your fingers out of the space between the container lid and the upper rim of the container!

Pressing the corresponding button, the basket can be lifted out of a station or lowered into one.



- To lift the basket, press **ARROW UP**.

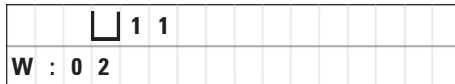
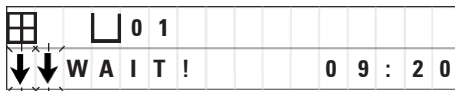


- To lower the basket, press **ARROW DOWN**.

The up or down movement is carried out entirely and a corresponding message is displayed while the action is in progress.

- To interrupt an up or down movement, before it is completed, press one of the two **ARROW** keys again.

The movement will stop immediately when pressing the button.



If one of the warning codes **W:01 - W:03** (see [Chapter 13](#)) is displayed while you try to lower the basket into one of the wax baths, check whether the paraffin is actually liquefied.

If yes, you may carry on and lower the basket into or lift it out of the wax bath.

8. Operating the Instrument in the Manual Processing Mode

Lifting and lowering the tissue basket (continued)



- To lower the basket press **KEY** and **ARROW DOWN** simultaneously.

Or



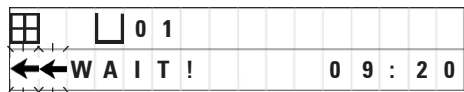
- To lift the basket, press **KEY** and **ARROW UP** simultaneously.

8.2 Moving the tissue basket to the next station



To transport the tissue basket from one station to the next, the **CIRCLE ARROW** button has to be pressed. The movement can only be carried out in single steps and clockwise.

- Press **CIRCLE ARROW**.



The basket is moved to the next station. '**WAIT!**' and two blinking arrows, indicating in which direction the basket is moving, are displayed. The carousel will stop when the basket is above the next station without lowering the basket into the station.



- To move on to the next station, press **CIRCLE ARROW** again.

8. Operating the Instrument in the Manual Processing Mode

8.3 Activating the vacuum function (instruments with vacuum function only)



The Leica TP1020 is available in different types, with or without vacuum function. Instruments without vacuum function also have the 'V' button for vacuum on the control panel, however this key is not functional. 'V' is not displayed.

Of course a vacuum function cannot be activated with the 'V' buttons in those cases.



Instruments equipped with vacuum function may only be operated with the aluminum containers supplied together with the instrument. Glass beakers used in combination with the vacuum accessories have a high hazard potential when damaged!

In the manual processing mode, pressing a button activates / deactivates the vacuum function.



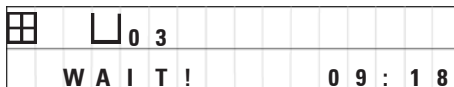
- Press 'V' to activate vacuum.



The display reads '**VAC**' (vacuum). The pump noise diminishes while vacuum is generated.



- To deactivate the vacuum, press 'V' again.



'**VAC**' disappears from the display. The vacuum is deactivated.

While the container is being ventilated, a slight hissing noise can be heard. Only after the station has been completely ventilated can the tissue basket be lifted out of it.

9. Operating the Instrument in the Automatic Processing Mode

9.1 Starting a program



A program can either be started immediately or at a later point in time using the delay function.

9.1.1 Immediate start



All corresponding parameters are displayed, such as number of baskets, starting position (station number), vacuum on/off, and infiltration time of the basket in the starting container. Therefore, check the parameters on display and decide if you actually wish to start the displayed program. Otherwise select another program.

The cursor blinks at the program number data entry position. For a program to be selectable for use, at least one infiltration time for one processing station must have been set.

☐	☐	0	1	V	A	C	1	h	0	0
W	:	0	5							



- To start a program, press **START**.
- Select the desired program number by pressing **PLUS** or **MINUS**.
- To start the selected program immediately, press **START** again.

9. Operating the Instrument in the Automatic Processing Mode

Immediate start (continued)



- To start the selected program immediately, press **START** again.



The warning codes W:04 - W:06 (see Chapter 13) are displayed for programs of less than 8 hours duration from start until the basket reaches the first wax bath. Check if the available amount of time is sufficient for the paraffin to liquefy completely. If this is not ensured, fill the wax baths with liquid paraffin.



- To override the warning codes and start processing, press **KEY** and **START** simultaneously.

			0	9		V	A	C		-	-	h	-	-
P	4									0	9	:	1	7

After the drain time of 60 seconds, the carousel will automatically move to the programmed starting position.

While the basket is being moved, the display reads the numbers of the container stations the carousel is rotating past. Instead of the infiltration time '- - h - -' will be displayed.

As soon as the basket has arrived at the programmed starting station, it will be lowered into that station.

9. Operating the Instrument in the Automatic Processing Mode

Immediate start (continued)

☐	☐	0	1	V	A	C	0	h	5	7	
P	4						0	9	:	2	9

From that point on, the remaining infiltration time of the basket in the current station is displayed. While processing time is running, the display reading is updated in one-minute intervals; i.e. you can always see exactly the remaining infiltration time for each station.

9.1.2 Delayed start

Select starting time

- Press **START**.

The program which was used last is displayed. Decide whether you want to start that particular program or select another one.

- To enter the desired starting time, press **ARROW RIGHT**.

The display reads **START** and the cursor blinks at the data entry position for the days of delay:

☐	☐	0	1	V	A	C	1	h	0	0	
P	4						0	9	:	1	7



0 = Start at the same day (= today),

1 = Start the next day (= tomorrow),

2 = Start in two days (= the day after tomorrow)

...etc..



☐	☐	0	1	V	A	C	1	h	-	-
P	4	S	T	A	R	T	0	-	0	0



The delay function enables you to start a program e.g. during the weekend, so it will be completed by the time you return to work on Monday.

9. Operating the Instrument in the Automatic Processing Mode

Delayed start (continued)

		0	1	V	A	C	1	h	0	0
P	4	S	T	A	R	T	1	-	1	9 : 3 0



- Press **PLUS / MINUS** to enter the number of days.
- Press **ARROW** to move the cursor to the data entry position for the hours.
- Press **PLUS / MINUS** to enter the number of hours.
- To move the cursor to the digits destined for entering the minutes, push the **ARROW** key.
- Press **PLUS / MINUS** to enter the number of minutes.

The program shown here would be started the next day at 7.30 PM.

- To activate the delay function press **START**.

Once the delay function has been activated, the tissue basket will move immediately to the selected starting container.

While the basket is waiting in the starting container for the actual program to start, the display reads '- - h - -'.

		0	1					-	-	h	-	-
P	4							1	6	:	3	0

When pressing **CLOCK** the display switches from real time indication to reading the selected starting time and the resulting end time.

Display end of processing time

To check if the programmed starting time leads to an acceptable end of run time:

- Press '**CLOCK**'.

In the example shown here the end of processing would be the day after next at 9.48 AM.



		0	1	V	A	C	1	h	0	0
P	4			E	N	D	2	-	0	9 : 4 8

9. Operating the Instrument in the Automatic Processing Mode

Delayed start (continued)

Edit and change starting time (when using the delayed starting function)



- Press **CLOCK** again.
- Check the selected starting time and if necessary change it as appropriate to achieve the desired end or run time.
- To activate the delay function press **START**.



The warning codes W:04 - W:06 (see Chapter 7) are displayed for programs of less than 8 hours duration from start until the basket reaches the first wax bath. Check if the available amount of time is sufficient for the paraffin to liquefy completely. If this is not ensured, fill the wax baths with liquid paraffin.



- To override the warning codes and start processing, press **KEY** and **START** simultaneously.

The program will be started at the selected delay time.



- To quit the display indication, press **CLOCK** again.

9. Operating the Instrument in the Automatic Processing Mode

Locking the key functions



To protect program settings against unintended deletion or alterations, the key functions of the control panel can be locked.



- To lock the panel, press **KEY** for 5 seconds.

'**LOCKED**' will be displayed.

After 10 seconds the display will return to standard reading. Every time a button is pressed, '**LOCKED**' will be displayed again.



- To unlock the control panel functions, press **KEY** again for 5 seconds.

9. Operating the Instrument in the Automatic Processing Mode

9.2 Editing and modifying programs while a processing cycle is in progress



Programs can be edited and changed while a processing cycle is in progress. All programs can be edited and changed with the exception of the program currently in progress. A program in progress can be displayed but not changed.



- Activate the programming mode.
- Select a program.

To verify and/or change the selected parameters,

- Move the cursor to the station number entry position (**ARROW RIGHT / LEFT** = cursor buttons)
- Modify the station number pressing **PLUS** or **MINUS** and thus edit, and if necessary alter, step by step all station parameters.



All modifications are saved immediately. The program currently in progress cannot be changed!



- Press **PROG** to quit programming.

9.3 Displaying end of processing time



While a processing cycle is in progress, it is possible to display the expected end of run time.

- To display end of run time, press **CLOCK**.

9. Operating the Instrument in the Automatic Processing Mode

Display end of processing time (continued)

☐	☐	0	1							0	h	5	0	
P	7			E	N	D		1	-	1	0	:	3	8

In the example shown here end of processing would be the next day at 10.38 AM.



- To quit the display indication, press **CLOCK** again.

9.4 Pausing a process

Automatic specimen processing can be interrupted and resumed later, for example to reload specimens.



- To interrupt the program, press the **PAUSE/CONT** button.

☐	☐	0	1	V	A	C				0	h	1	2
P	4			P	A	U	S	E					

'PAUSE' is displayed.



While a run is paused, 'PAUSE' will be displayed continuously. In addition, 5 minutes after last pressing a key, a double sound signal reminds the user the run is still paused. The sound signal will recur in 5 minute intervals until processing is resumed.

When in '**PAUSE**', the buttons for manual operation become functional, e.g. to lift the tissue basket out of a station to add specimens. The carousel can also be rotated to move the basket to any processing station - see [chapter 8 'Operating the Instrument in the Manual Processing Mode'](#).

9. Operating the Instrument in the Automatic Processing Mode

9.5 Resuming a paused process



- To reassume processing press **PAUSE/CONT** again.

Pressing this key will lower the basket into the station. Processing continues as programmed.

While a run is paused, the infiltration time count-down in the actual station will also be interrupted. When processing is resumed, the remaining infiltration time in the station will be carried out without interruption. Thus, the end of run time of a process will be postponed by the length of time the process was paused.

The display reading will automatically be updated, showing the new end of run time.

If there is an emergency, an automatic processing cycle can be stopped immediately and - in a subsequent step - entirely aborted.

9.6 Stopping or terminating a process



- To stop a processing cycle in progress press **STOP**.

The carousel up-and-down movement stops immediately.

The display reads '**STOP?**'.

With this the instrument is asking you whether you really want to abort the processing cycle currently in progress?



- To resume processing, press **START**. Processing will continue as programmed.

☐	☐	0	1	V	A	C	0	h	5	5
P	8	S	T	O	P	?				

☐	☐	0	1	V	A	C	0	h	5	5	
P	8						1	0	:	1	9

9. Operating the Instrument in the Automatic Processing Mode

Stopping or aborting a process (continued)

If there is an emergency, an automatic processing cycle can be stopped immediately and - in a subsequent step - entirely aborted.

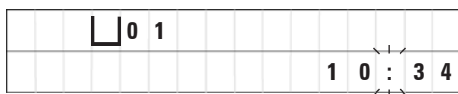
Processing will continue as programmed.



- To abort the process, press **STOP** again.

This will terminate the specimen processing definitely without any option to resume processing.

The tissue basket remains immersed in the current station and has to be removed in the manual processing mode.



9.7 End of an automatic process



The termination of automatic specimen processing is indicated in the display, supported by an audible signal that is repeated in 30-second intervals.

The position of the specimen basket and '**DONE**' appear in the display.

- Press any key to confirm the message and turn off the sound signal.

The specimens can now be removed in the manual processing mode.

9. Operating the Instrument in the Automatic Processing Mode

9.8 Removing the specimens

- Lift the carousel.
- Allow for the tissue basket to drain in that position.
- Lift the tissue basket slightly with your hand and pull it out of the basket holder in a horizontal movement.
- Lower the carousel.

9.9 Finishing the daily routine



Due to the relatively long time paraffin requires to melt, the instrument should not be turned off routinely after finishing the day's last processing cycle.

- Check the filling level and quality of the liquid in each station (reagent and wax baths) and refill or exchange completely if necessary.
- Clean the edges of the reagent containers and wax baths as well as the seals of the lids (refer to Chapter 14 - 'Cleaning').
- Wipe the control panel clean.
- Press **KEY** to lock the panel and that way protect program settings against accidental alteration or misuse.

10. Warning and Error Codes - Troubleshooting

10.1 Warning codes

☐	☐	0	4																
W :	0	3																	



Solid paraffin takes several hours to melt.

Please keep this in mind and make sure to switch on the instrument early enough so the paraffin will be molten and ready for use when necessary.

The warning codes W:01 - W:06 may be displayed.

W:01, W:02, W:03 - Paraffin in wax bath, station 10, 11, 12 is still solid.

W:04, W:05, W:06 - Paraffin in wax bath, station 10, 11, 12 may still be solid when basket 1 is reached.

When these warning codes are displayed, a short sound signal (very short sound - very short sound) is emitted and repeated in 5 minute intervals.

W:01 - W:03 are displayed by the processing cycle upon occurrence, e.g. when the basket is due to be immersed into a wax bath as programmed.

W:04 - W:06 are displayed immediately when starting an automatic processing cycle of less than 8 hours duration from start until the basket reaches the first wax bath.



or



- To quit warning codes W:01 - W:03 press any key.
- To lower or lift the tissue basket press **KEY** and **ARROW UP** or **ARROW DOWN** simultaneously.

10. Warning and Error Codes - Troubleshooting

Warning codes (continued)



W:01 - W:03 block the transport of the tissue basket to the wax bath no. 10, 11 or 12. If you know though that the paraffin is actually liquefied, you can immerse the tissue basket into or remove from one of the wax baths manually.



- To override the warning codes W:04, W:05 and W:06 press **KEY** and **START** simultaneously to start processing.

Code	Possible root cause	Troubleshooting
Warning code W:01, W:02, W:03 in manual processing mode	Paraffin in wax bath stations 10/11/12 still solid.	<ul style="list-style-type: none"> To quit the warning code, press any key. Check if the paraffin is really molten. If you find that the paraffin is molten, pause the automatic processing cycle and - in the manual processing mode - by pressing KEY and the corresponding ARROW button simultaneously, lower the basket into the wax bath or lift it out of the wax bath.
Warning code 'W:04' 'W:05' 'W:06' when starting an automatic processing cycle.	Total duration of program from start until the basket reaches the first wax bath is less than 8 hours. Paraffin in stations 10/11/12 possibly still solid upon arrival of tissue basket.	<ul style="list-style-type: none"> Check if there is sufficient time for the paraffin to liquefy completely until the basket arrives at the wax bath. If this is not ensured, fill the wax bath with molten paraffin. To override / quit the warning code, press KEY and START simultaneously.

10. Warning and Error Codes - Troubleshooting

List of error codes (continued)

Error code 'E:11'	Loss of process data.	<ul style="list-style-type: none">- Press any key to confirm error message; 'ABORT' will be displayed; processing cycle will be aborted.- Restart processing cycle.- If the same problem recurs, call Technical Service.
Error code 'E:12'	Loss of program settings.	<ul style="list-style-type: none">- Press any key to confirm error message; 'ABORT' will be displayed; processing cycle will be aborted.- Restart processing cycle.- If the same problem recurs, call Technical Service.
Error code 'E:13'	Erroneous data entry for delayed start function (e.g. desired starting time would be earlier than current real time.)	<ul style="list-style-type: none">- Correct erroneous data entry.

10.3.1 'POWER FAILURE' and 'WRONG STATION' messages



In case of a power failure the carousel is lowered immediately into the station where the tissue basket happens to be located when the power failure occurs. Once mains power is restored processing will be resumed as programmed. Possible impairment of the processing cycle through the interruption is displayed.



'**POWER FAILURE**' is displayed when mains power is restored after a power failure, but only if the processing cycle in progress has been impaired by the power failure.

The display reading is accompanied by a sound signal which intends to attract the user's attention to the malfunction so he/she can take appropriate measures to rescue the specimens.

The upper line of the display shows the surplus time the basket remained immersed, and the station number where it was immersed due to the power failure. In the example shown here the infiltration time in station no. 3 was exceeded by 47 minutes.

If, due to the power failure, the basket is lowered into a station which is not part of the program (programmed infiltration time '0 h 00 min'), instead of '**POWER FAILURE**' the message '**WRONG STATION**' is displayed. In addition, when mains power is restored, an uninterrupted sound signal is emitted.

The upper line of the display shows how long the basket remained in the wrong station due to the power failure. In the example shown here the basket remained in station no. 4 for 16 minutes.

By pressing any key the display reading will switch back to normal and the sound signal will be turned off.

Once mains power is restored, processing will be reassumed as programmed. The basket will be moved from the wrong station to the next station that is part of the current program.

10. Warning and Error Codes - Troubleshooting

10.3.2 Measures to remove specimen material in case of prolonged power failure



In case of a prolonged power failure the tissue can be removed from the instrument manually and also be relocated to the next station by entirely manual operation.

- Switch off the mains switch.
- Remove the crank handle (1) from the clip and insert it into the access port (2) on the left side of the instrument.

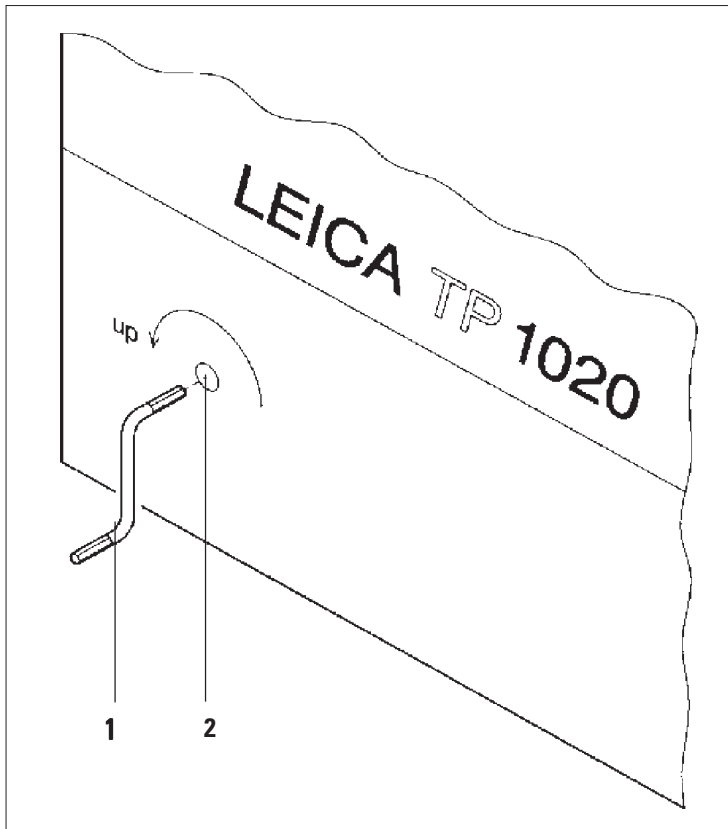


Fig. 23

Removing the tissue basket

- Lift the carousel rotating the crank handle in the direction of the arrow until the lower end of the basket is above the rim of the processing station.
- Hang on to the crank handle to keep it securely in its position and remove the tissue basket.

Warning and Error Codes - Troubleshooting (continued)



Use caution when lowering the carousel! Keep your fingers out of the space between the container lid and the upper rim of the container!

When you release the crank handle, the carousel will start to slowly descend.

Manual relocation to the next station

- Rotating the crank handle in the direction of the arrow, lift the carousel upwards until there is a notable resistance to the rotating movement.

When you release the crank handle, the carousel will be lowered into the next processing station.

Skipping stations

To skip one or more processing stations, hold on to the crank handle to avoid that the basket will actually be lowered into the station.

- Next, lift the carousel again with the crank handle until you notice resistance to the rotating movement.
- To lower the basket into the station, release the crank handle.

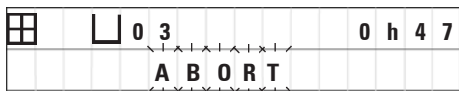
When using the manual transporting option, infiltration times for all stations have to be user-controlled.

- To resume processing once mains power has been restored, switch on the mains switch.

After mains power is restored the software recognizes any manual station changes that have occurred during the power failure. When mains power is back, the program is resumed as originally set up.

10. Warning and Error Codes - Troubleshooting

10.4 'ABORT' message



'**ABORT**' is displayed after quitting an error code emitted due to instrument malfunction. When confirming such an error message processing is aborted.

At this point processing can be restarted from the beginning. To skip the stations that had already been covered during the previous aborted run proceed as follows:



- Press **START**.
- To start the currently displayed program, press **START** again.



This will cause the instrument to step by step move the basket to the programmed starting station. Before reaching that position:



- Press **PAUSE/CONT** to switch to the manual processing mode.



- Press **CIRCLE ARROW** to move the basket to the station where processing was aborted.



- Press **ARROW DOWN** to lower the basket.



- To leave the manual processing mode, press **PAUSE/CONT** again.

Processing will then continue where it had previously been aborted.

- Lift the carousel in the manual processing mode.
- Remove all station containers from the platform.



Spilled reagents have to be wiped away immediately. In case of long-term exposure, the instrument surfaces are only conditionally resistant to solvents.

Caution! The interior containers of the wax baths become very hot when the heating function is activated! Do not touch the gray upper rim of the containers with your hands!

Risk of injury!

Caution when handling hot paraffin! Risk of injury!

- Disconnect the wax bath plugs, slightly lift the wax bath lids and remove the paraffin containers.



Empty the wax baths completely before the paraffin cools!

When cooling down, the paraffin contracts, which can cause damage to the wax bath.

- Lower the carousel in the manual processing mode.



Before cleaning the instrument, disconnect the mains switch.

To clean the painted surfaces, the container platform and the control panel, do not use solvents containing acetone or xylene; neither use abrasive cleaning powders!

Only mild household detergents may be used! The lacquered surfaces and the control panel are not resistant xylene or acetone!

- Remove residual paraffin from the station holders, lid seals and lid holders.
- Use a soft plastic spatula for removing the paraffin.

11. Cleaning



When cleaning the instrument, no liquid may enter in contact with any of the electrical connections or the interior of the instrument.

- Use a moist cleaning cloth to clean platform, lacquered instrument surfaces and control panel.
- Clean the rims of the glass or aluminum reagent containers and of the wax baths.



The glass and aluminum containers are dishwasher-proof.

- Take the glass or aluminum containers out of the beaker carriers and wash them in the dishwasher.
- Fill the wax baths and reagent containers and put them back into place.
- Reconnect the wax bath plugs.
- Switch on the mains switch.

Cleaning the Plexiglas fume containment shields of instruments with fume control system

- Use a soft plastic spatula for removing residual paraffin from the surface of the shields to avoid scratches.
- Apply some alcohol or xylene on a cloth and wipe off the surfaces previously cleaned with the plastic spatula.
Do not allow xylene or alcohol to react on the surfaces!

12.1 General maintenance instructions



For purposes of maintenance or repair, the instrument may only be opened by service technicians authorized by Leica.

Overall, the instrument can be considered maintenance-free. To ensure its trouble-free functioning over a prolonged period of time, we still recommend:

- Have a preventive maintenance done once a year by a service engineer authorized by Leica.
- Once your warranty period expires, we recommend to purchase a Leica Service Contract.
For details please contact your local Leica Service Organization.
- Mop up spilled reagents immediately.
- Clean the instrument on a daily basis ([see Chapter 11 'Cleaning'](#)).
- Once a month, lift the carousel cover to its upper end position, clean the carousel axle with a cleaning cloth and subsequently apply a thin coat of machine oil.
- Never attempt any repairs on the instrument or wax baths on your own - by doing so you will lose any warranty claims!

12. Maintenance

12.2 Wax bath

12.2.1 Altering the standard working temperature



Factory-set standard working temperature is 65 °C. The wax bath heating will automatically switch on when the actual temperature of the paraffin is 5 °C below standard working temperature.

When working with paraffin that has a melting point below 58 °C, the instrument working temperature can be readjusted with the corresponding setting screw.

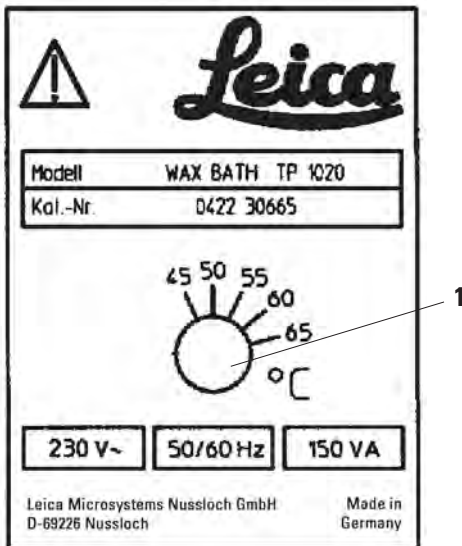


Fig. 24

- Use a screw driver to turn the setting screw (1) to the desired value.

If you find that the paraffin does not melt completely after lowering the working temperature, slightly readjust again.

12.2.2 Reset after excess temperature shutdown



If the actual temperature rises above the range of normal working temperature, an excess temperature switch-off mechanism responds. The wax bath heating is disconnected. The yellow signal lamp is extinguished. Use of the wax bath can be resumed only after a cooling down period. For cooling down, disconnect the wax bath connector plug from the socket at the rear of the instrument, or switch off the main switch.

- Disconnect the wax bath connector plug from the socket at the rear of the instrument.
- Wait for the wax bath to cool.



Empty the wax baths completely before the paraffin cools!
When cooling down, the paraffin contracts, which can cause damage to the wax bath.

Operational test

- Plug the wax bath back in.
- Check whether the yellow pilot lamp lights when heating is activated.
- Wait until the paraffin is completely molten. The set standard working temperature has been reached when the pilot lamp goes out.
- Measure if the actual temperature of the paraffin corresponds to the standard working temperature.

If there is any doubt whether the wax bath is functioning trouble-free, it has to be exchanged.

12. Maintenance

12.3 Replacing the fuses



Before exchanging the fuses, switch off the mains switch and unplug the instrument! Burnt-out fuses may only be replaced by fuses of the same type and specification.

See Chapter 3 'Technical Data'.

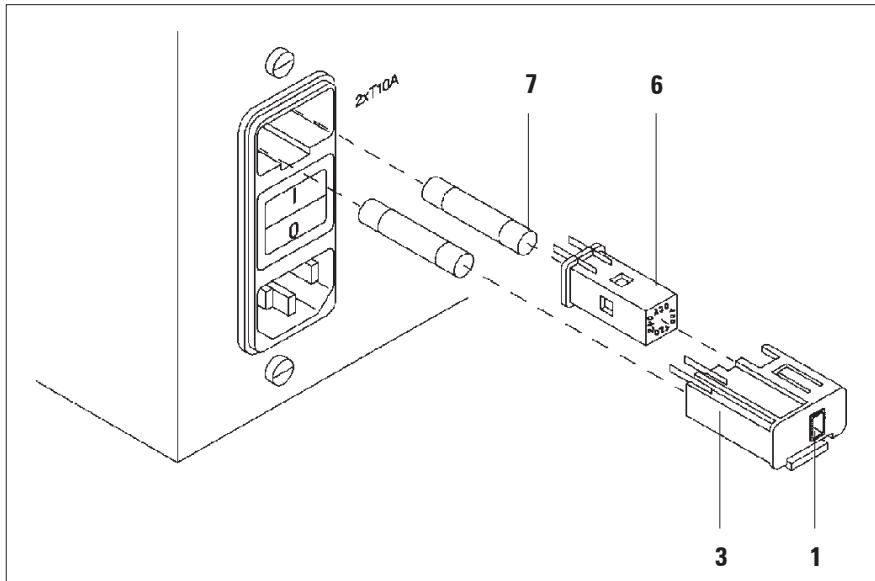


Fig. 25

The fuses are located in the voltage selector shell (3).

The currently selected voltage can be seen in the small window (1) in the voltage selector shell.

- Remove the shell (3) as described in Chapter 4.3.2 'Adjust voltage selection'.
- Remove the fuses (7).
- Insert replacement fuses of the same type.
- Insert the voltage selector shell together with the fuses back into the receptacle in the instrument and press lightly until it locks.
- Check if the setting that shows in the window (1) corresponds to the nominal voltage in your laboratory.

13.1 Three-level tissue basket

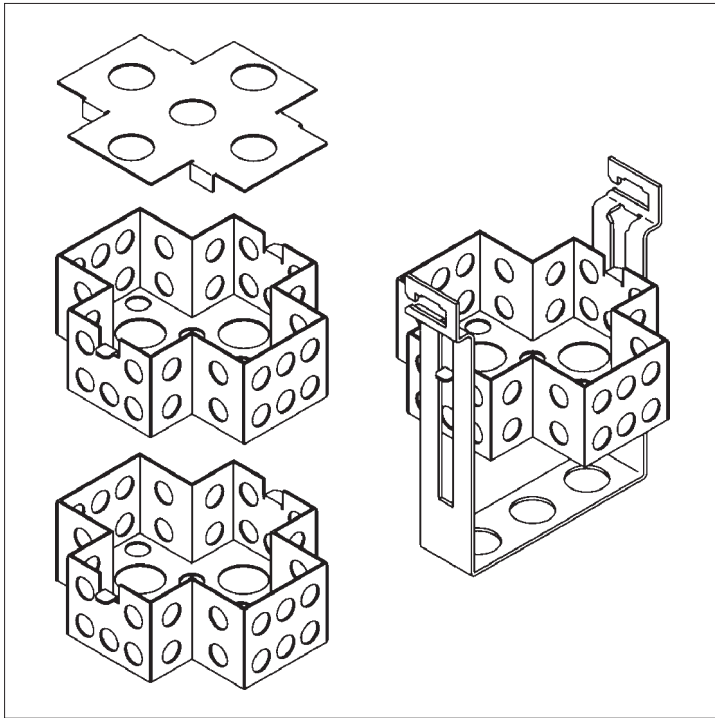


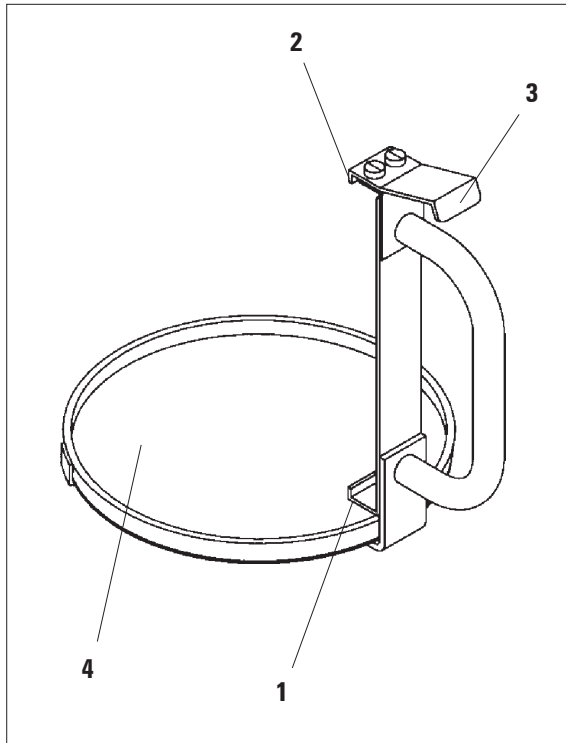
Fig. 26

Holding capacity: 20 cassettes per level

The three-level tissue basket consists of a holder (1) in which the three levels (2) for the cassettes are stacked. The upper level is closed with a lid (3).

13. Optional Accessories

13.2 Basket removal device



The basket removal device with drip tray makes it easy to remove the hot dripping tissue basket at the end of the processing cycle. The rubber insert (4) of the drip tray can be removed for cleaning.

- Grasp the basket removal device at the black handle and insert the dripping tray under the tissue basket.
- Insert the metal hook (1) under the notch at the bottom of the tissue basket.
- To lift the hook (2), press the spring (3) downwards with your thumb.
- Lock the hook (2) into the upper rim of the tissue basket and release the spring.
- Lift the basket slightly and remove it from the basket holder in a horizontal movement.

Fig. 27

13.3 Basket holder for second tissue basket



To increase the specimen throughput the instrument can be retrofitted with a basket holder for a second tissue basket.

A second tissue basket (standard or three-level type) has to be ordered separately.

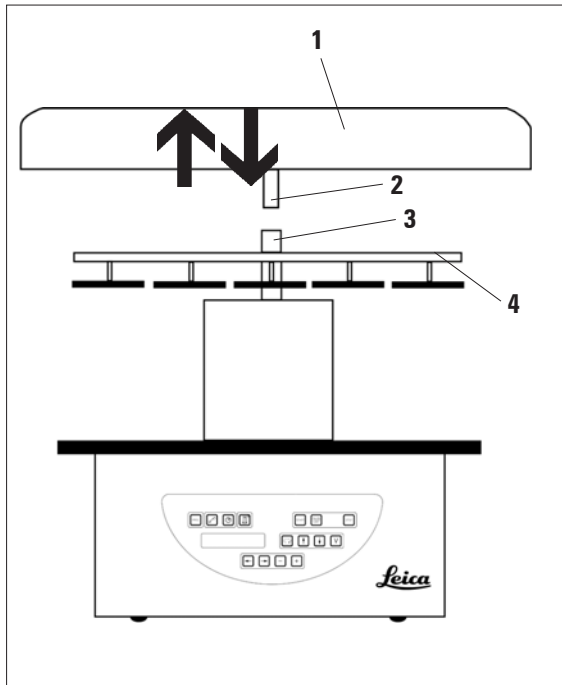


Fig. 28

Standard delivery

- 1 basket holder for second tissue basket
- 1 wax bath
- 1 station holder for wax bath

13. Optional Accessories

Basket holder for second tissue basket (continued)

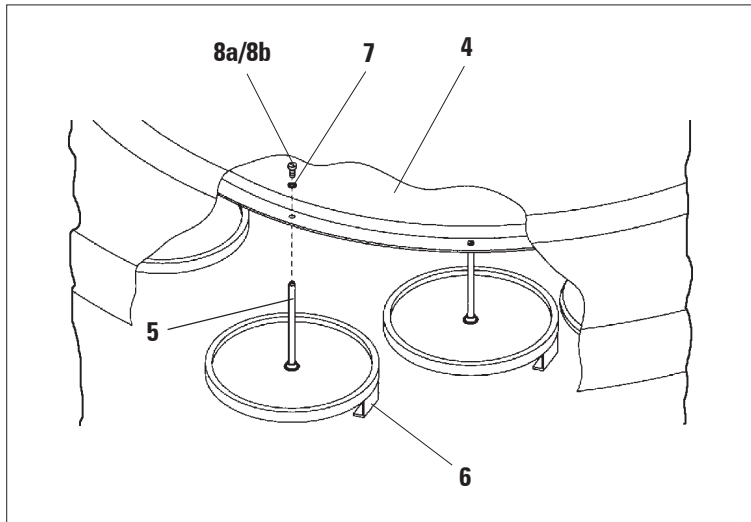


Fig. 29

Installing the second basket holder

- Rotate the carousel cover counterclockwise until it can be removed from the axle (3) in an upward movement.

The second basket holder is installed at position 2. For this purpose, the existing cover and bar must be removed.

- Clutch the rod (5) with a pair of tongs and release the slotted screw (8a) on the upper side of the disc (4).
- Insert the rod (5) of the second basket holder in the bore on the bottom of the disc (4). Adjust the holding device (6) for the second basket in the same way as the holding device in position 1 and hold it in that position.
- Put the locking washer (7) around the bore in disc (4).
- Insert the Allen screw (8b) into the bore from above and tighten with an Allen key no. 3.
- Insert the hub (2) of the carousel cover (1) from above into the axle (3) of the center piece.
- To secure hold on to the disc (4) and rotate the carousel cover clockwise.

Basket holder for second tissue basket (continued)



The instrument standard configuration will then have to be changed accordingly to acknowledge that a third wax bath has been connected - see [Chapter 15](#).

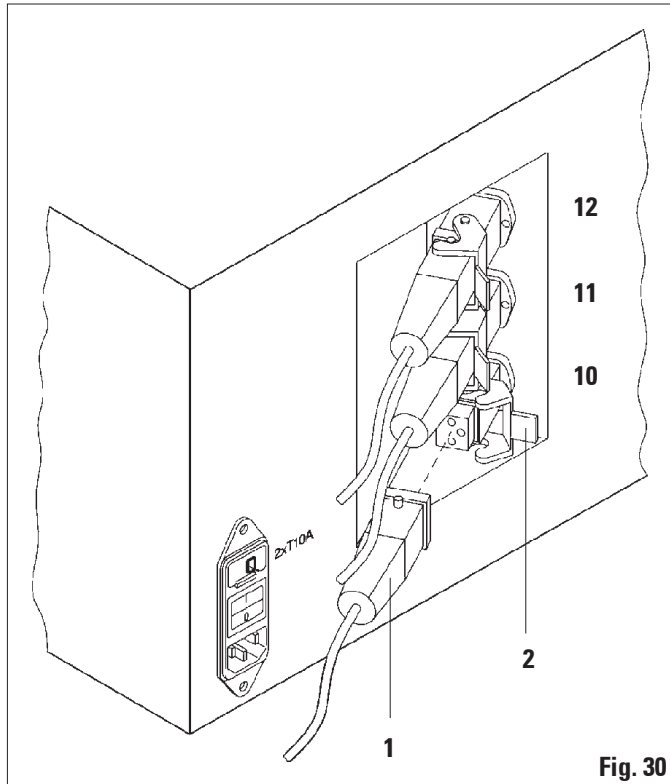


Fig. 30

Installing the station holder

- Use a screw driver to lift the reagent station holder out of the platform.
- Insert the wax bath holder and drive in with a plastic hammer.

Connecting the third wax bath

- Pull off the cover cap from the socket no. 10.
- Insert the plug (1) of the third wax bath into socket no. 10 and secure with the clip (2).

13. Optional Accessories

13.4 Connecting the fume outlet tube (optional accessory for instruments with fume control system)



Via a solvent resistant fume outlet tube (which is available in a length of 2 or 4 meters), the instrument can be connected to a central fume extraction system. The fume outlet tube can also be used to conduct solvent fumes outside a building.

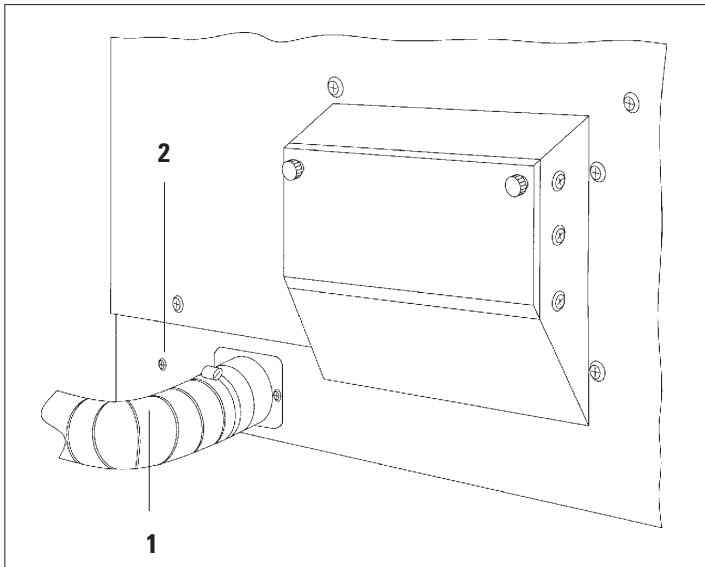


Fig. 31

Installing the fume outlet tube

- Put the tube (1) over the connecting piece on the left side of the housing and fasten by means of the hose clamp (2) that is supplied with the instrument.

13.5 Inserting the activated carbon filters (optional accessory for instruments with fume control system)



Instruments with fume control system can be equipped with two activated carbon filters. One filter is specific to formaldehyde, whilst the other takes up other solvents. The working life of the activated carbon filters is dependent on the reagent concentrations actually used, instrument running time and ambient temperature.

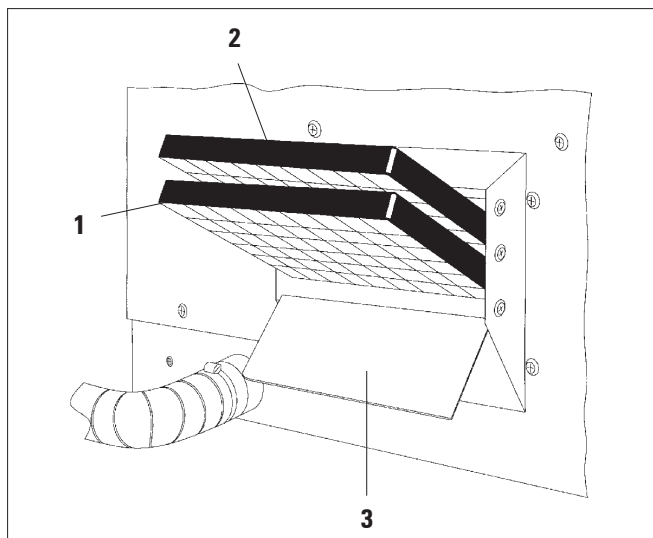


Fig. 32

- Unpack the filters.
- To open the lid (3) of the receptacle on the left side of the instrument, loosen the two knurled knobs.
- Fold down the lid (3).
- Insert the activated carbon filter for other solvents (1) in the lower guide rail and push until it is completely inserted.
- Insert the activated carbon filter for formaldehyde (2) in the upper guide rail and push until it is completely inserted.

- Fold up the lid and lock by tightening the two knurled knobs.



Warning! Fire hazard!

If a filter becomes saturated with solvent, there is a potential fire risk! It is important that the activated carbon filters are changed at factory recommended intervals.

Generally the activated carbon filters have to be replaced every four months.

14. Ordering information

14.1 Accessories

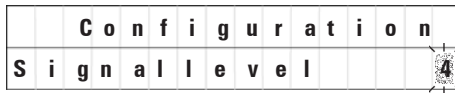
Standard tissue basket	14 0422 30585
Three-level tissue basket	14 0422 30547
Single-level compartment for three-level tissue basket	14 0422 30622
Lid for three-level tissue basket	14 0422 30623
Basket removal device with drip tray	14 0422 30637
Glass beaker 1.8 l	14 0424 60429
Beaker carrier	14 0422 30671
Aluminum container, 1.8 l	14 0422 32166
1 Station holder for wax bath	14 0422 30571
Wax bath 1.8 l	14 0422 30665
Wax bath (resistant to chloroform) 1.8 l, adjustable up to 70° C	14 0422 32001
Screwdriver for wax bath	14 0170 10702
Fume outlet tube (solvent resistant) 2 m	14 0422 31974
Fume outlet tube (solvent resistant) 4 m	14 0422 31975

15.1 Modifying the instrument configuration

The instrument has a factory-set standard configuration which can be modified by the user if desired.

Modifications can be done in the configuration menu, which consists of 4 different menu items:

- Signal level 1 - 4
- 3. Wax bath?
- ProgPreset?
- SystemReset?



For this menu item four different settings can be selected. Setting 4 is factory preset. Setting 1 is the lowest level. The next higher level always contains all the parameters of the next preceding level plus the additional signals as listed on this page.

Editing the configuration menu

- Switch off the mains switch.
- Switch the mains switch back on. While the display still reads 'TP1020 V x.xx' press PROG for a short while.

The first configuration menu item is displayed.

Modifying the configuration

Signal level = Setting the desired signal type and frequency

- Level 1 = Audible signal in case of power failure and malfunctions
- Level 2 = Level 1 + audible signal for interruption, warning codes and end of program
- Level 3 = Level 2 + audible signal for acknowledgment of warning codes and Error messages
- Level 4 = Level 3 + audible signal every time a button is pressed

15. Appendix

Modifying the instrument configuration (continued)



- For the next menu item, press the **CURSOR** button.
- To change the setting, press the **PLUS / MINUS** keys.



			C	n	f	i	g	u	r	a	t	i	o	n	
3	.	w	a	x		b	a	t	h	?			Y	E	S

The next standard setting is displayed.

3. Wax bath = Is a third wax bath being used?



In station no. 10 you can install a third wax bath instead of the reagent station.

If you do so, you have to modify the configuration menu accordingly; otherwise the instrument will not function properly. If you change from a three wax baths operation mode back to two wax baths, you have to go back and readjust the configuration menu.



- To change the setting, press the **PLUS / MINUS** keys.
- For the next menu item, press the **CURSOR** button.

The next standard setting is displayed.



			C	n	f	i	g	u	r	a	t	i	o	n	
P	r	o	g	P	r	e	s	e	t	?			N	O	

ProgPreset? = Set programs 6 - 9 to default values?

15. Appendix

15.2 Reagents appropriate for use with the instrument

The following reagents are safe for use with the TP1020:



Important!

Using other than the reagents listed below can cause damage to the instrument or to parts of the instrument.

Fixation

Formalin, buffered or unbuffered

Picric acid

Dehydration

Ethanol

Isopropyl alcohol

Methanol

Butyl alcohol

Industrial alcohol

Clearing

Xylene and xylene substitutes

Toluene

Benzene

Acetone

Chloroform

Trichlorethane

Important!

} These substances are permitted only with instrument variant 9. For additional information, refer to Chap. 3.3 "Standard delivery", [page 16](#)

Paraffin

Paraffin

15.4 Factory-set programs**Program No. 6 - 1 basket**

Station	Reagent	VAC	Duration
1		V	0h15
2		V	0h15
3		V	0h15
4		V	0h15
5		V	0h15
6		V	0h15
7		V	0h15
8		V	0h15
9		V	0h15
10		V	0h15
11	Paraffin	V	0h15
12	Paraffin	V	0h15

Program No. 8 - 2 baskets

Station	Reagent	VAC	Duration
2		V	0h15
3		V	0h15
4		V	0h15
5		V	0h15
6		V	0h15
7		V	0h15
8		V	0h15
9		V	0h15
10		V	0h15
11	Paraffin	V	0h15
12	Paraffin	V	0h15

15. Appendix

15.4 Factory-set programs (continued)


Program No. 7 - 1 basket

Station	Reagent	VAC	Duration
1		V	1h00
2		V	1h00
3		V	1h00
4		V	1h00
5		V	1h00
6		V	1h00
7		V	1h00
8		V	1h00
9		V	1h00
10		V	1h00
11	Paraffin	V	1h00
12	Paraffin	V	1h00

Program No. 9 - 2 basket

Station	Reagent	VAC	Duration
2		V	1h00
3		V	1h00
4		V	1h00
5		V	1h00
6		V	1h00
7		V	1h00
8		V	1h00
9		V	1h00
10		V	1h00
11	Paraffin	V	1h00
12	Paraffin	V	1h00


Leica TP1020 - Programming Worksheet

Program No. _____		Name: _____		Date: _____	
				Written by: _____	
Station	Reagent	VAC		Duration	Comment
1					
2					
3					
4					
5					
6					
7					
8					
9					
10					
11	Paraffin				
12	Paraffin				

15. Appendix

Leica TP1020 - Programming Worksheet

Program No. _____ Name: _____ Date: _____					

Station	Reagent	VAC		Duration	Comment
1					
2					
3					
4					
5					
6					
7					
8					
9					
10					
11	Paraffin				
12	Paraffin				

Warranty

Leica Biosystems Nussloch GmbH guarantees that the contractual product delivered has been subjected to a comprehensive quality control procedure based on the Leica in-house testing standards, and that the product is faultless and complies with all technical specifications and/or agreed characteristics warranted.

The scope of the warranty is based on the content of the concluded agreement. The warranty terms of your Leica sales organization or the organization from which you have purchased the contractual product shall apply exclusively.

Technical service information

If you require technical service or replacement parts, please contact your Leica sales representative or dealer who sold the product.

Please provide the following information:

- Model name and serial number of the instrument.
- Location of the instrument and name of the person to contact.
- Reason for the service call.
- Date of delivery.

Decommissioning and disposal

The instrument or parts of the instrument must be disposed of in compliance with the local laws.